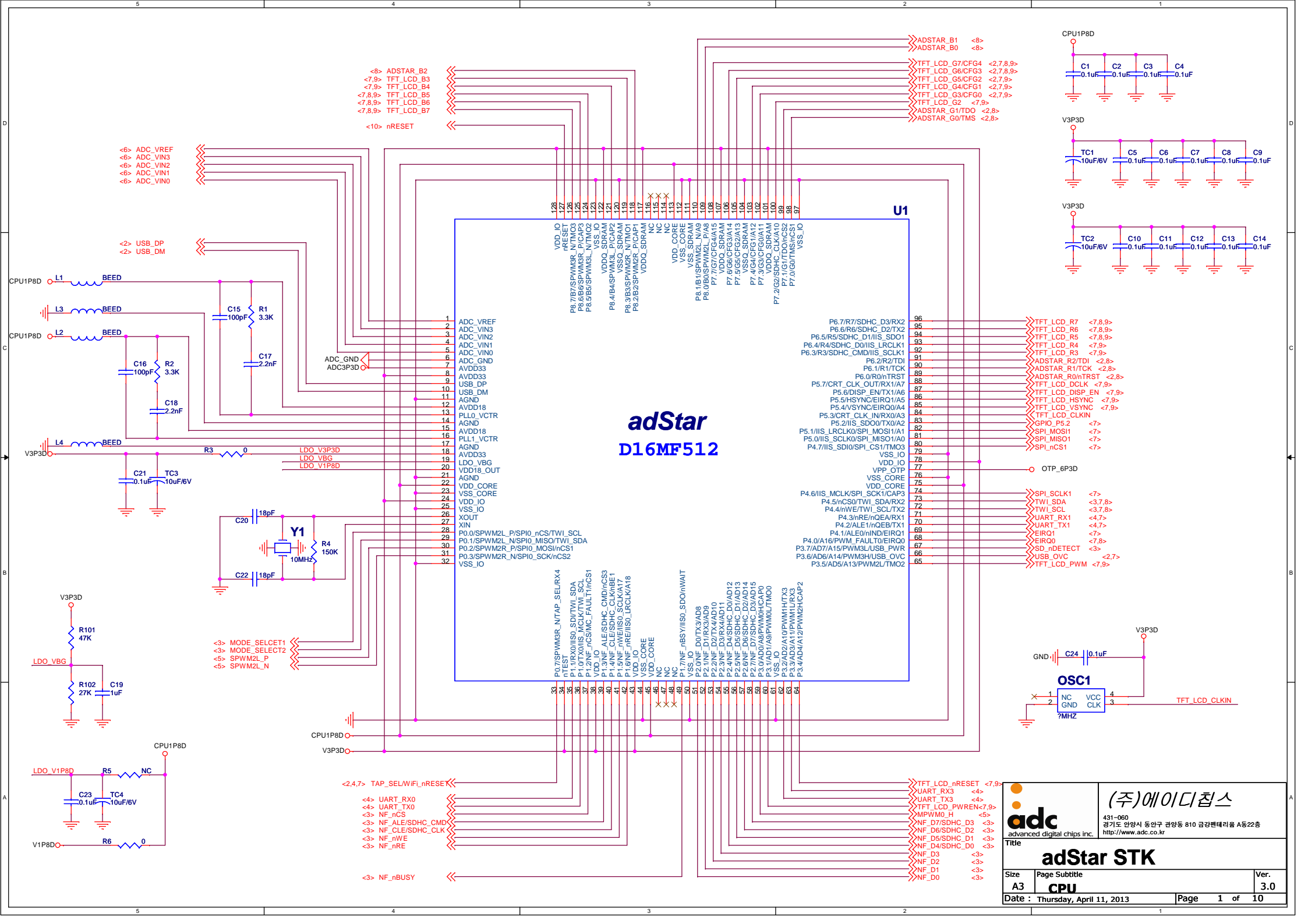
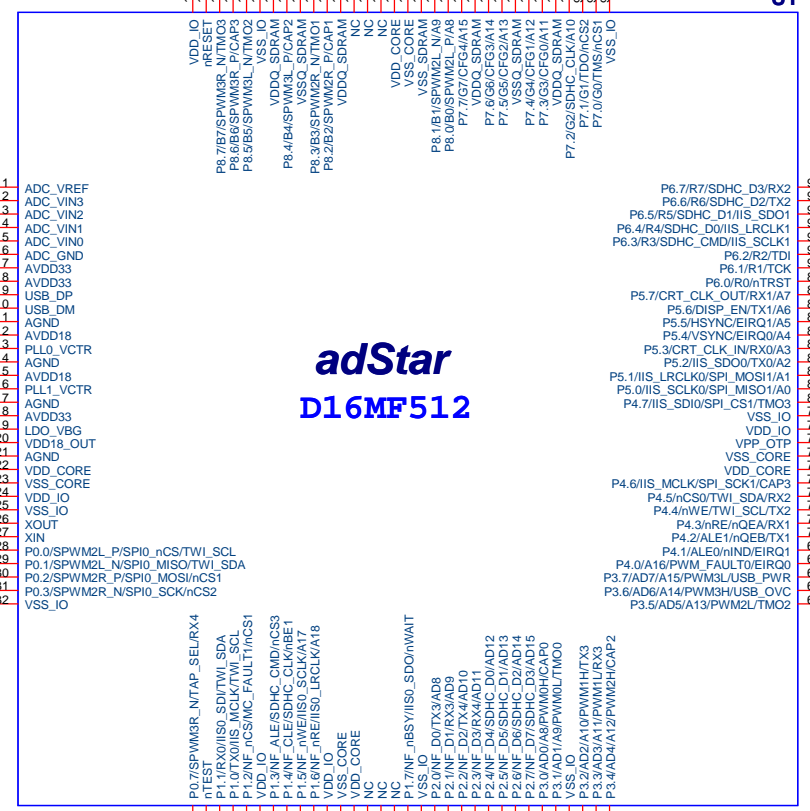


## adStar-STK ( adStar starter kit )

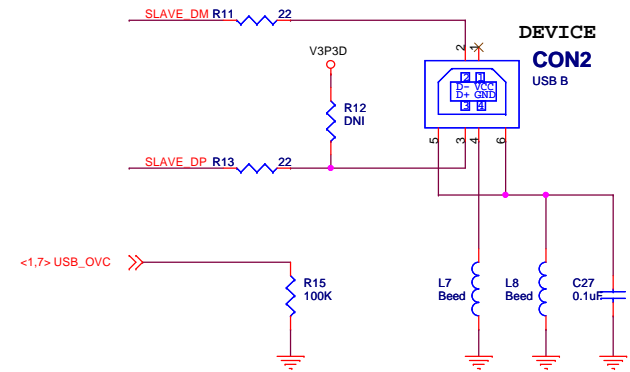
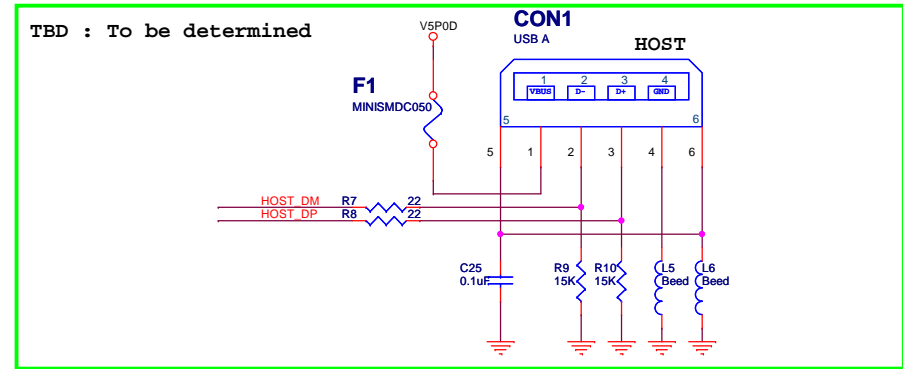
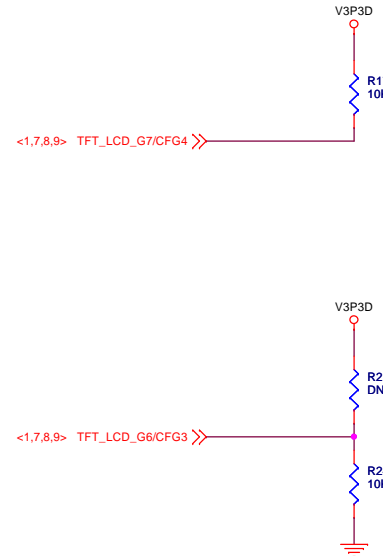
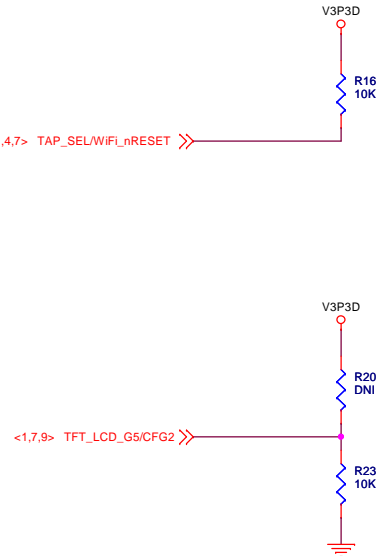
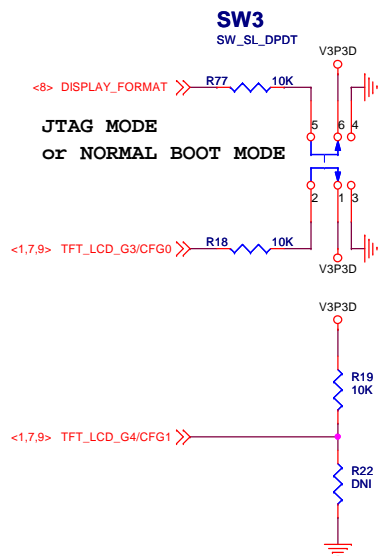
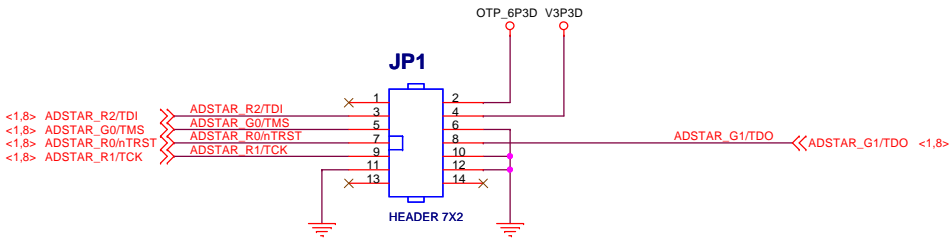
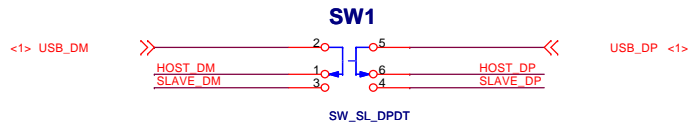
Version	Date	Description
Ver : 1.0	Nov 11, 2011	
Ver : 1.1	Nov 24, 2011	First release version
Ver : 1.2	Jan 05, 2012	adSar LDO_VBG ( C19 : 1uF -> 2.2nF 으로 변경 )
Ver : 1.3	Jan 16, 2012	JP1 PIN6, PIN10 -> Ground
Ver : 1.4	Feb 21, 2012	외부 LDO 사용으로 변경. ( R5 NC 처리, R6 0옴저항 삽입 )
Ver : 1.5	Feb 27, 2012	USB HOST BLOCK ( TBD : To be determined )
Ver : 2.0	Jun 07, 2012	MODE SWITCH : adStar Pin 30,31 -> Pin 28,29 SPWM Output : adStar Pin 28,29 -> Pin 30,31
Ver : 3.0	April 03, 2013	Back-Light Drive IC : BD6066EKN -> R1204N313A-TR-FE 교체 J2 추가 : TOUCH IC AD1008 모듈용 J6 추가 : SPI INTERFACE



**adStar  
D16MF512**



		<b>(주)에이디칩스</b> 431-060 경기도 안양시 동안구 관왕동 810 금강렌터빌 A동22층 advanced digital chips inc. http://www.adc.co.kr	
<b>Title</b> <b>adStar STK</b>			
Size	Page Subtitle	Ver.	
A3	<b>CPU</b>	3.0	
Date	Thursday, April 11, 2013	Page	1 of 10



JTAG DEBUGGER MODE	NORMAL BOOTING MODE
CFG[0] : LOW	CFG[0] : HIGH
CFG[0] : HIGH	NOR Flash Boot
	CFG[3:1] : 000 SPI Flash Boot
	CFG[3:1] : 001 NANDFlash Boot
	CFG[3:1] : 010 (MLC 4bit ECC) 011 (MLC 24bit ECC) 100 (Small 3Cycle) 101 (Small 4Cycle) 110 (Large 4Cycle) 111 (Large 5Cycle)



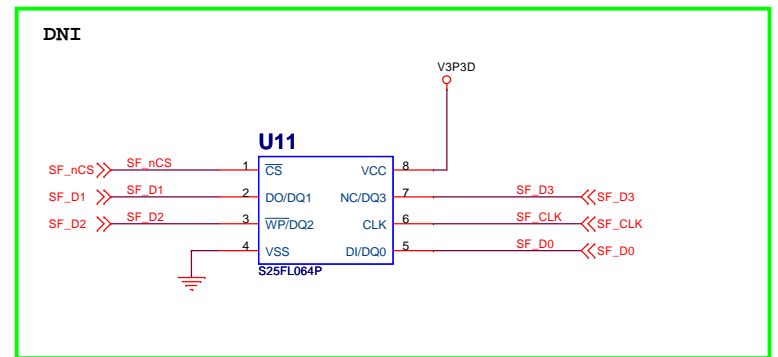
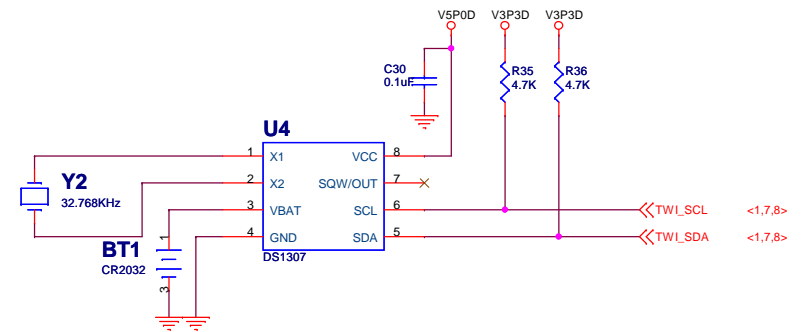
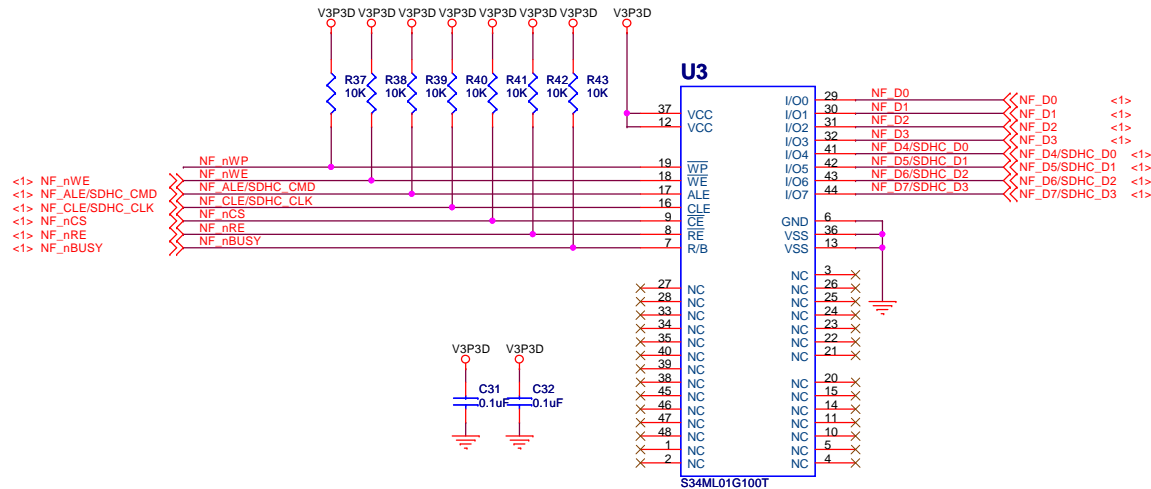
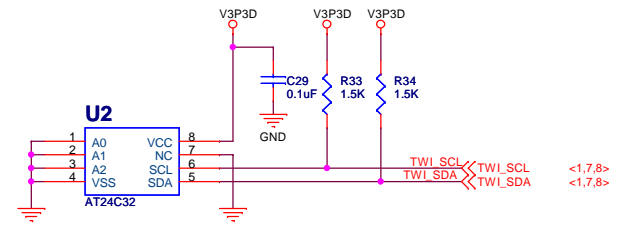
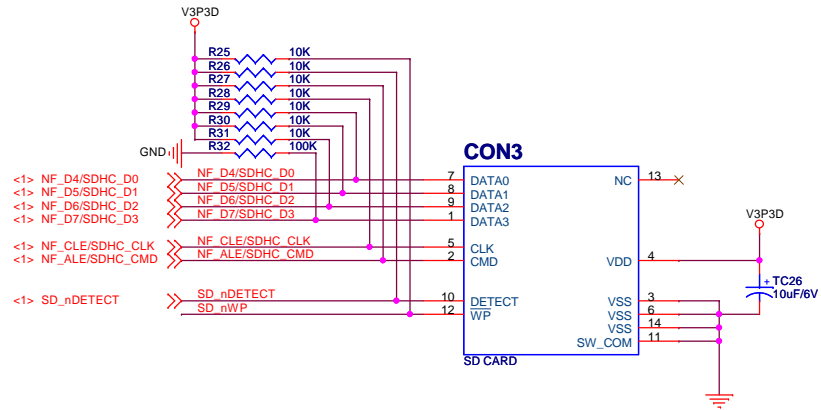
advanced digital chips inc.

(주)에이디칩스

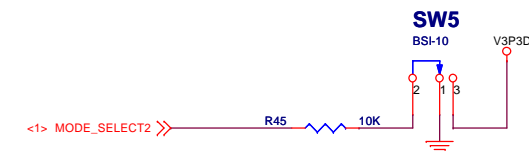
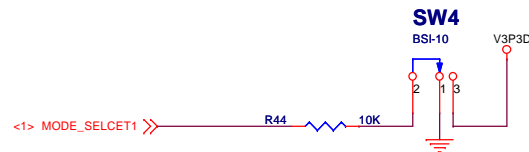
431-060  
경기도 안양시 동안구 관왕동 810 금강벤처리플 A동22층  
http://www.adc.co.kr

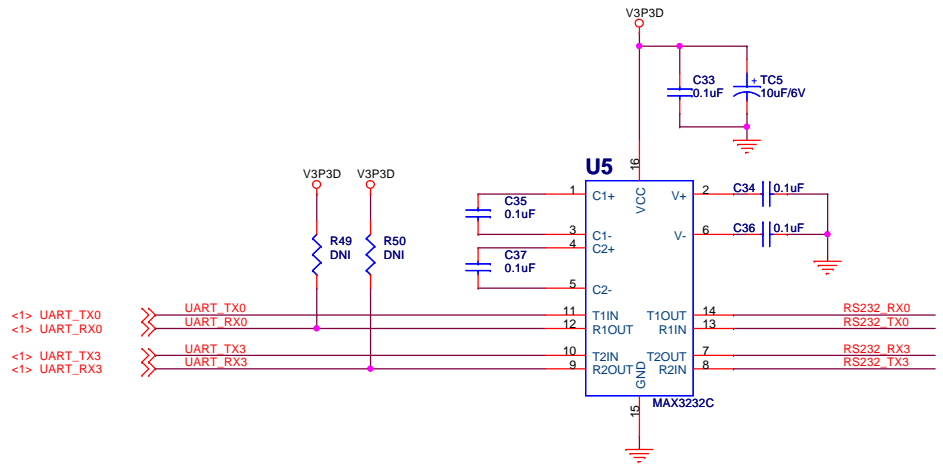
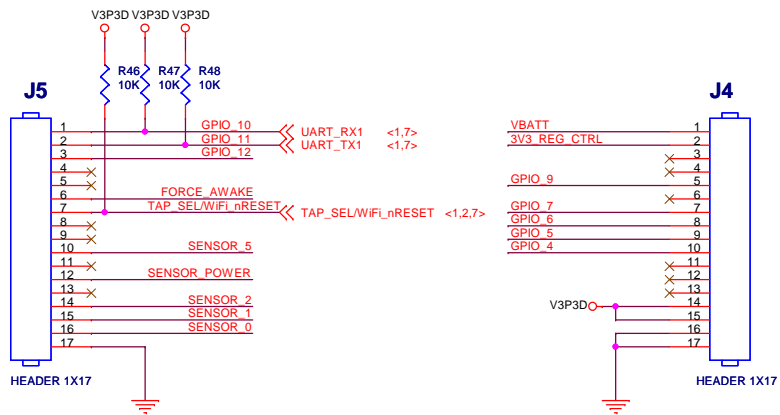
**adStar STK**

Size	Page Subtitle	Ver.
A3	CONFIG & JTAG & QUAD SPI & NAND	3.0
Date : Thursday, April 11, 2013	Page	2 of 10

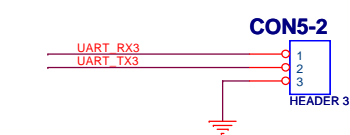
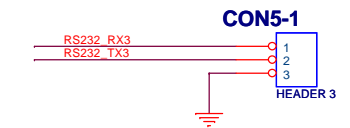
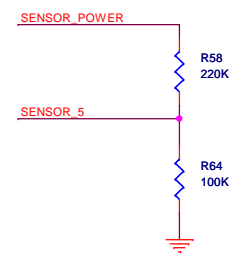
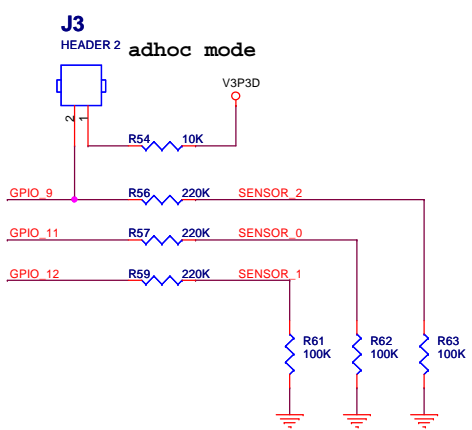
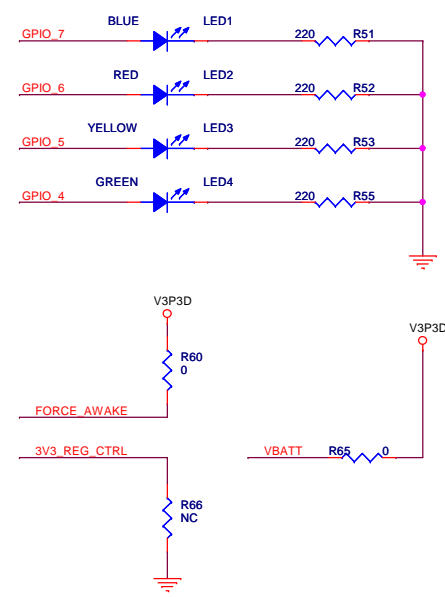
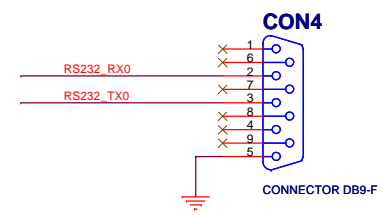


1. Program Download MODE
2. NAND FLASH MASSTORAGE MODE
3. SDCARD MASSTORAGE MODE
4. Executable MODE





Condition	Red LED	Yellow LED	Green LED
ON solid			Connected over TCP
Fast blink	Not Associated	Rx/Tx data transfer	No IP address
Slow blink			IP address OK
OFF	Associated		





advanced digital chips inc.

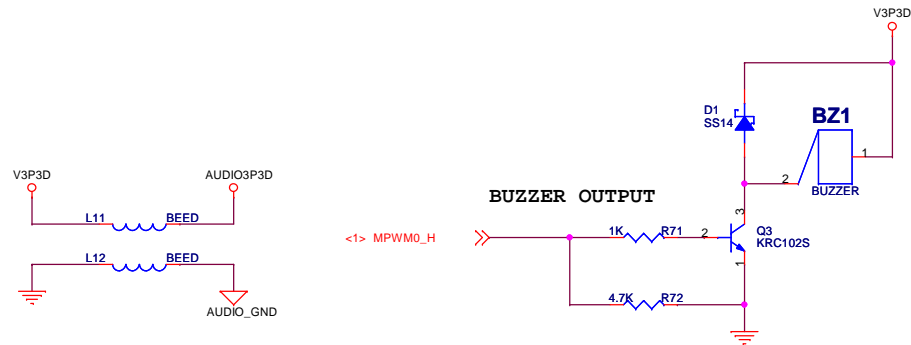
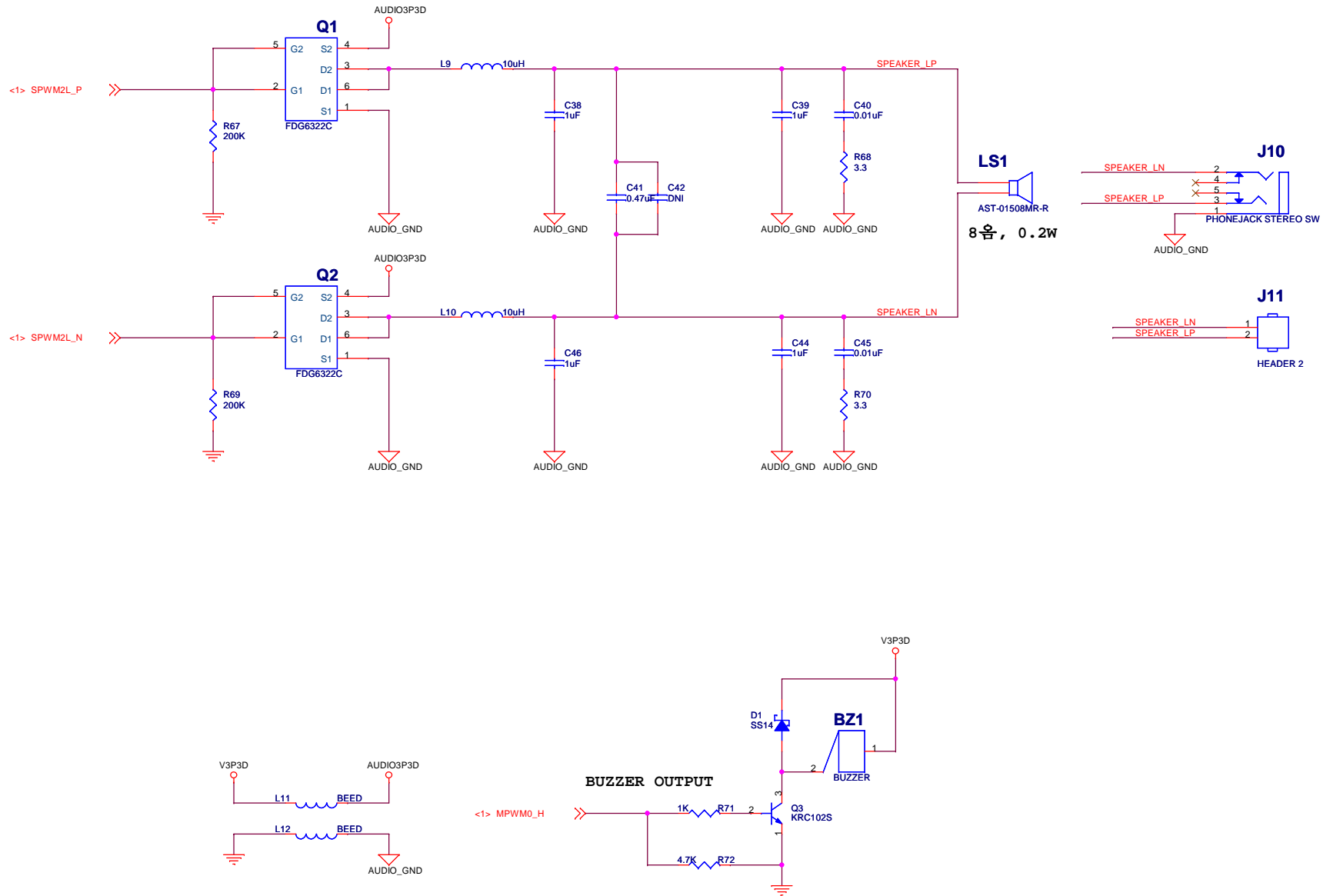
**(주)에이디칩스**

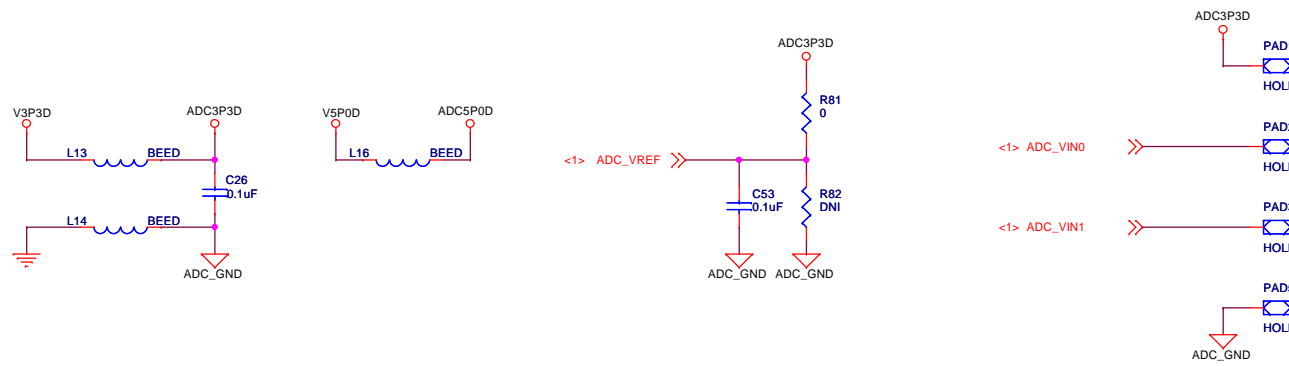
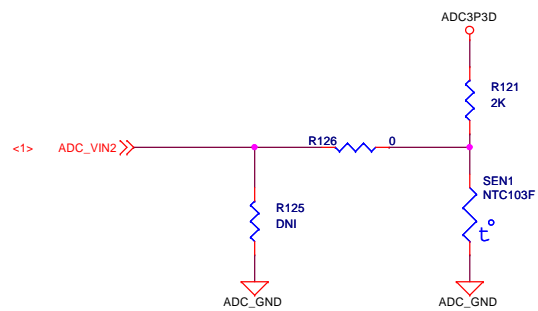
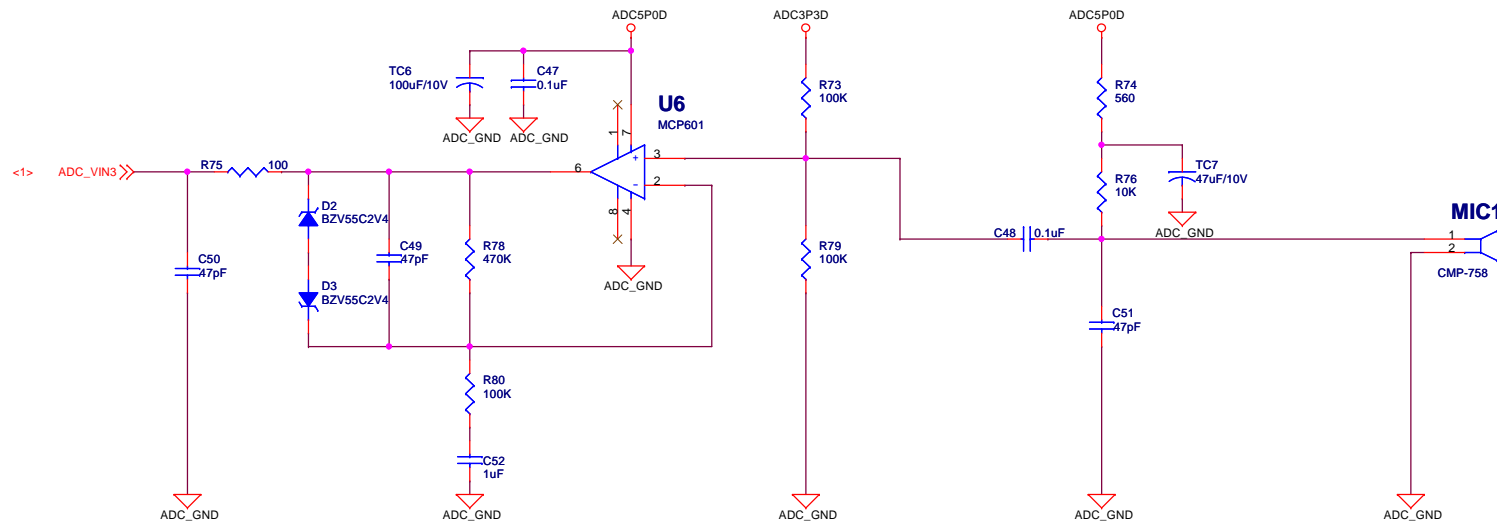
431-060  
경기도 안양시 동안구 관왕동 810 금강벤처리플 A동22층  
http://www.adc.co.kr

---

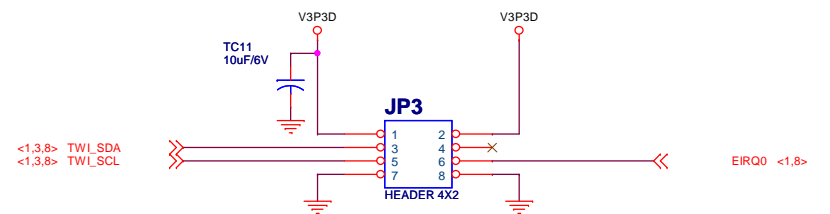
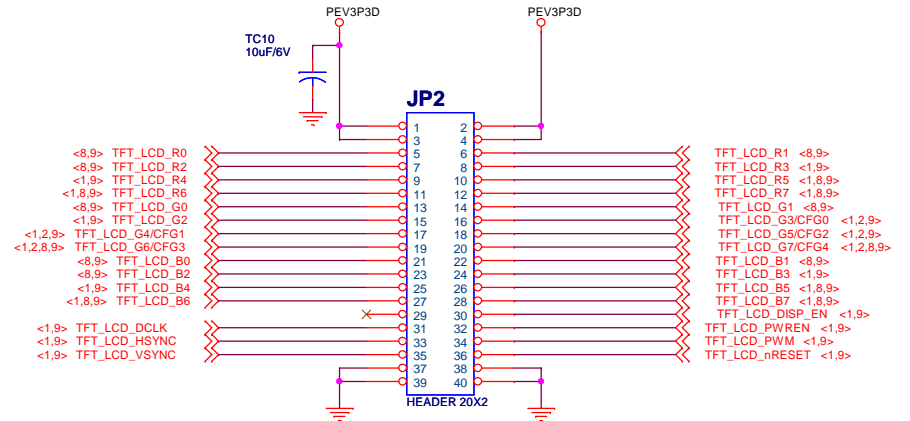
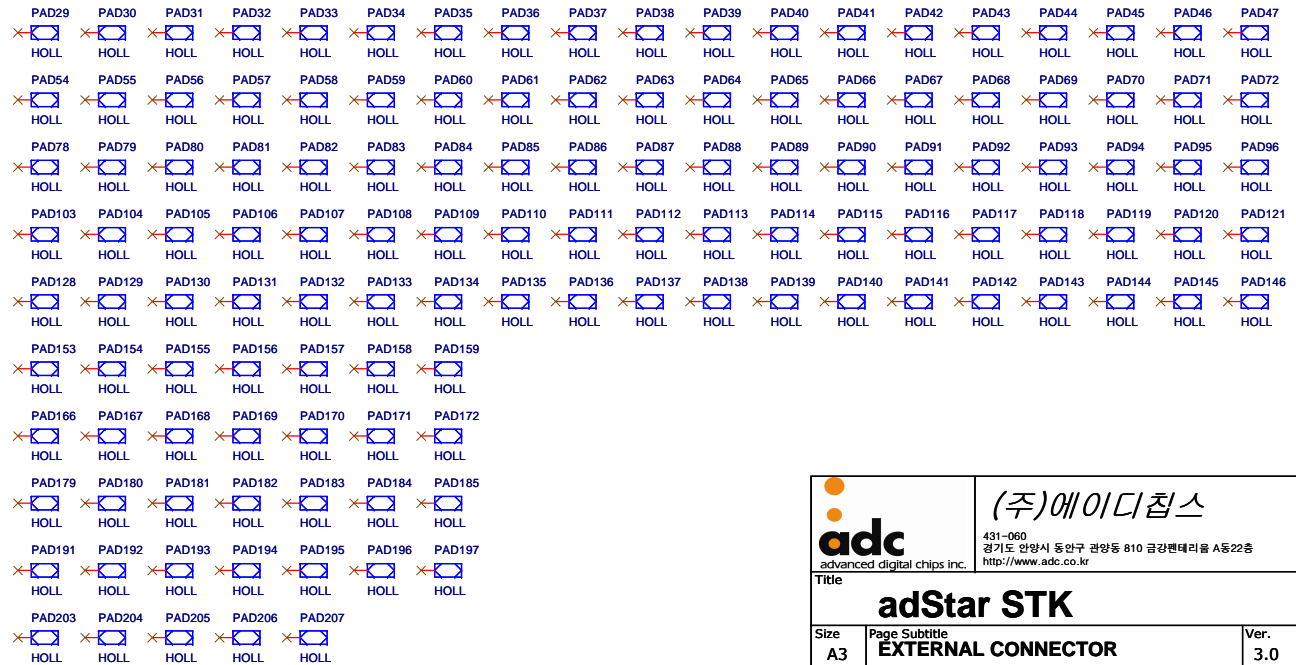
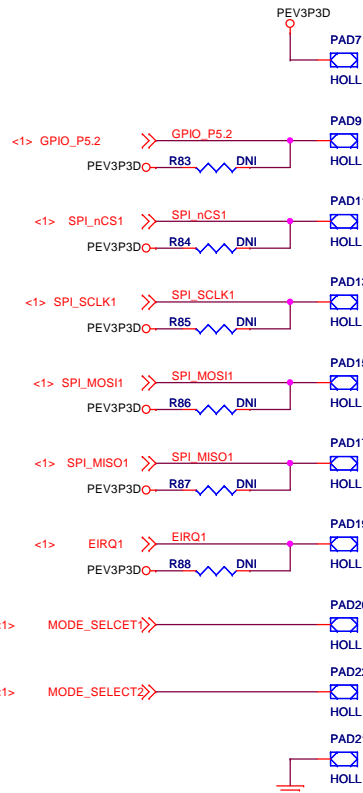
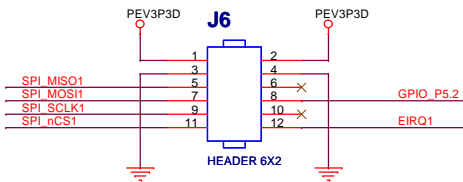
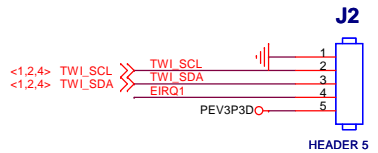
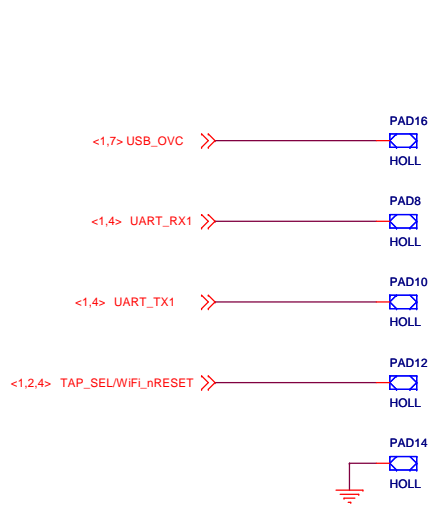
**adStar STK**

Size	Page Subtitle	Ver.
A3	Wi-Fly & UART	3.0
Date : Thursday, April 11, 2013		Page 4 of 10



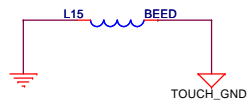
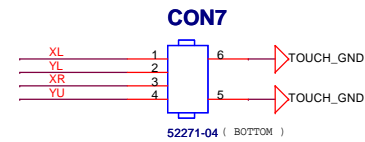
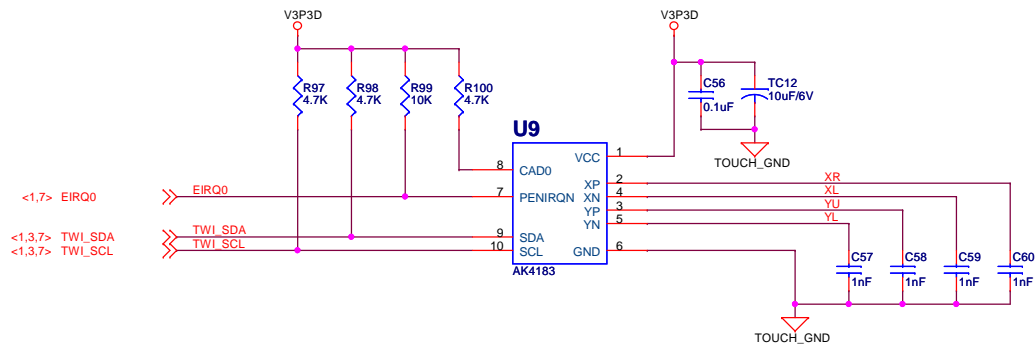
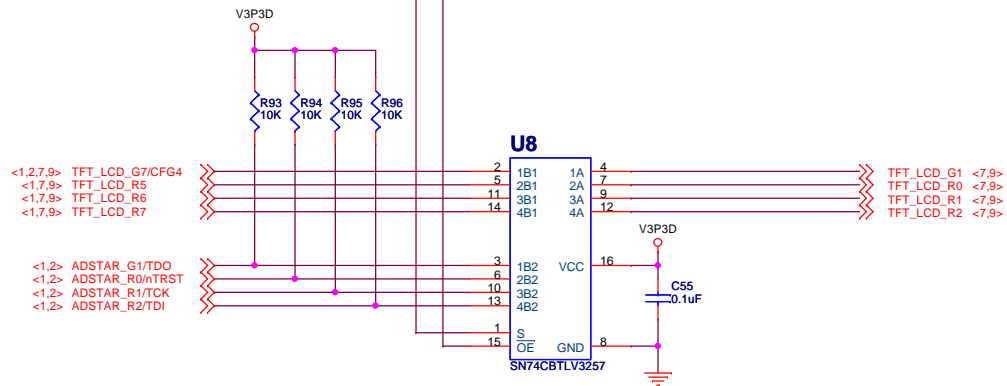
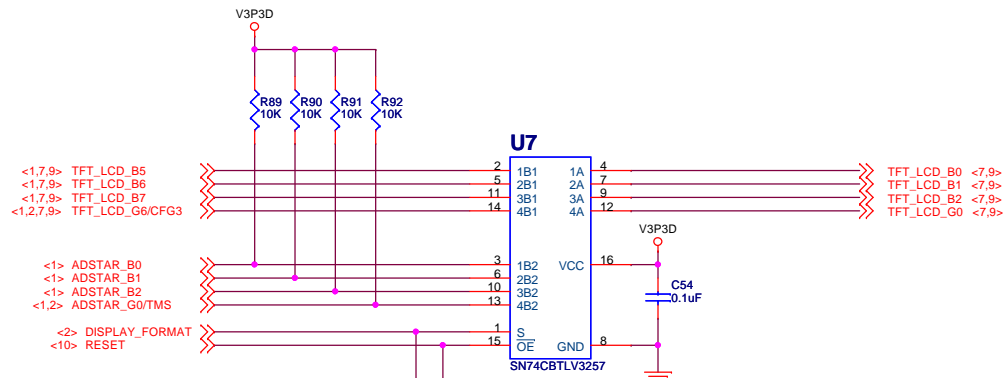


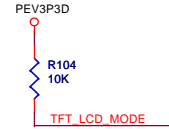
 advanced digital chips inc.		(주)에이디칩스 431-060 경기도 안양시 동안구 관양동 810 금강벤처리플 A동22층 <a href="http://www.adc.co.kr">http://www.adc.co.kr</a>	
<b>Title</b> <b>adStar STK</b>			
<b>Size</b> A3	<b>Page Subtitle</b> MICROPHONE & ADC	<b>Ver.</b> 3.0	
<b>Date</b> : Thursday, April 11, 2013		<b>Page</b> 6	<b>of</b> 10



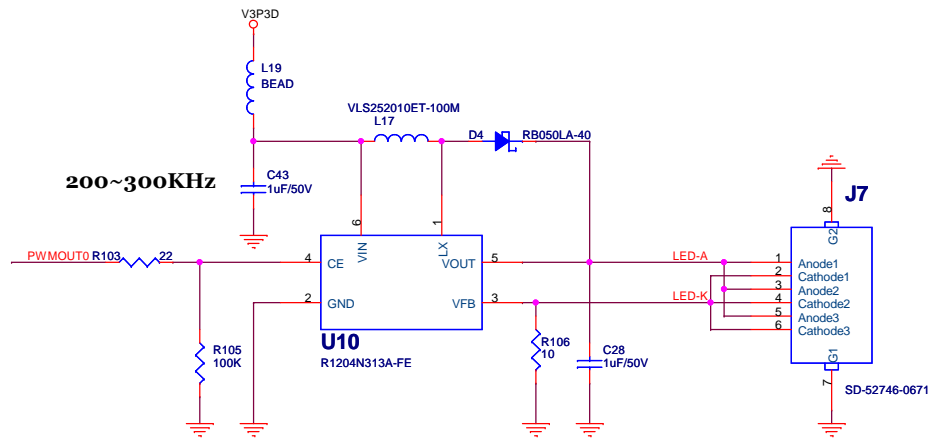
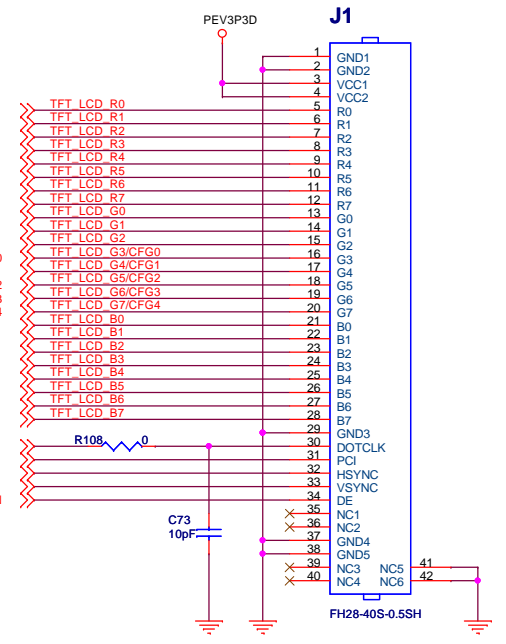
 advanced digital chips inc.		(주)에이디칩스 431-060 경기도 안양시 동안구 관왕동 810 금강랜텔리움 A동22층 <a href="http://www.adc.co.kr">http://www.adc.co.kr</a>	
Title			
<b>adStar STK</b>			
Size	Page Subtitle	Ver.	
A3	EXTERNAL CONNECTOR	3.0	
Date	Thursday, April 11, 2013	Page	7 of 10






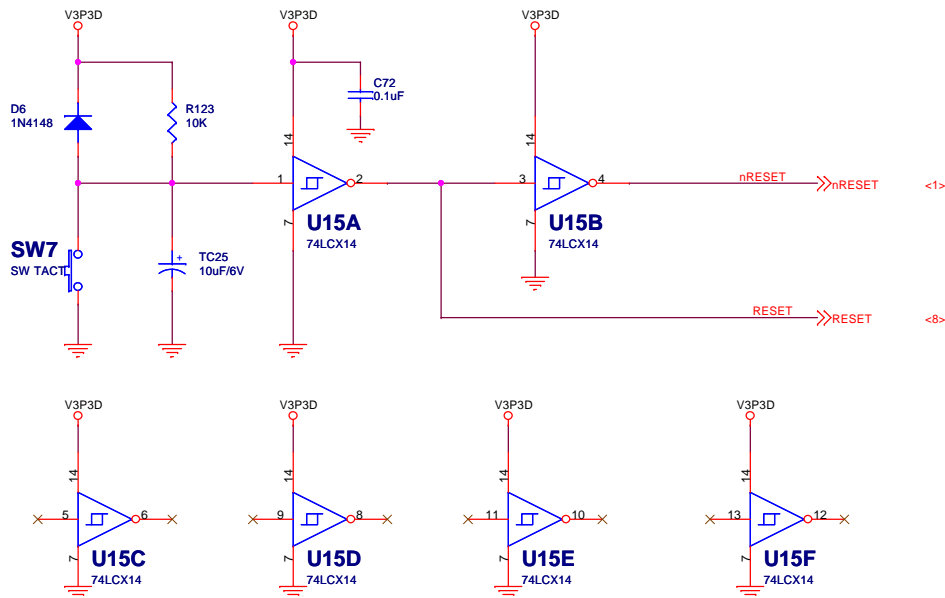
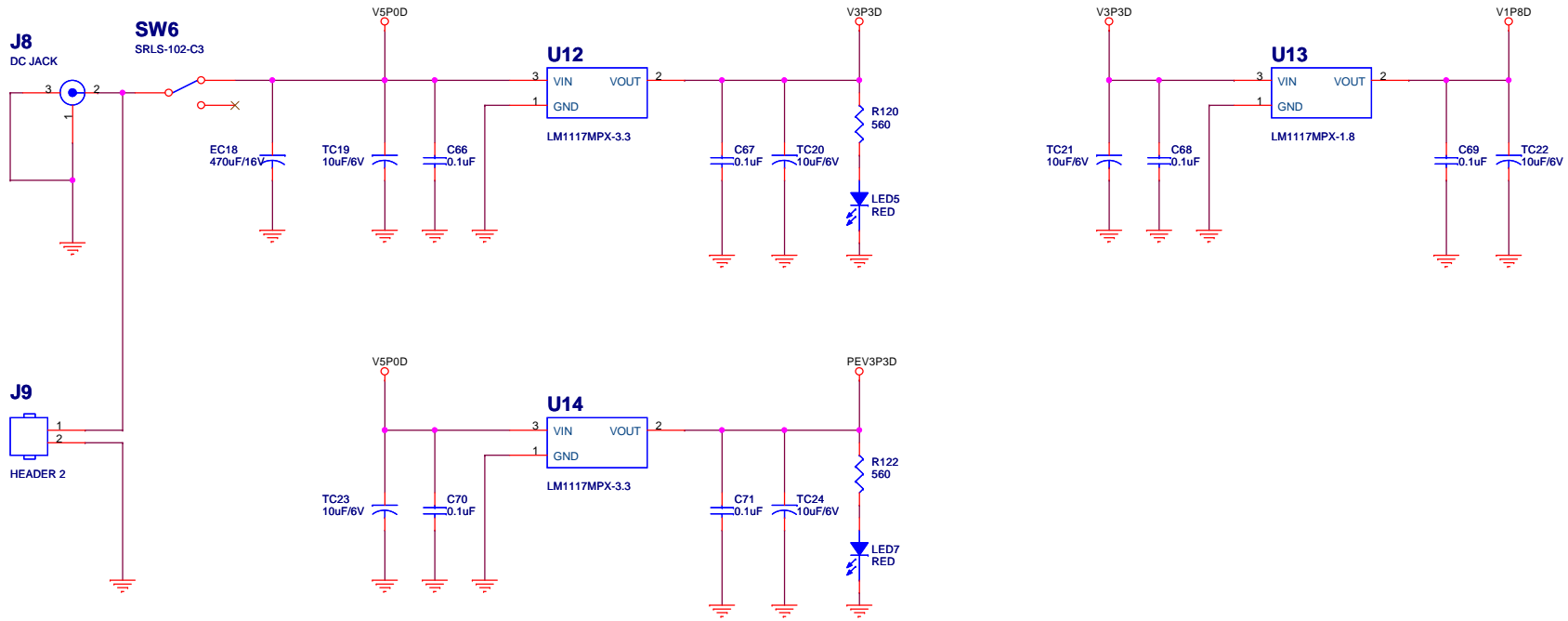


- <7,8> TFT\_LCD\_R0
- <7,8> TFT\_LCD\_R1
- <7,8> TFT\_LCD\_R2
- <1,7> TFT\_LCD\_R3
- <1,7> TFT\_LCD\_R4
- <1,7> TFT\_LCD\_R5
- <1,7,8> TFT\_LCD\_R6
- <1,7,8> TFT\_LCD\_R7
- <7,8> TFT\_LCD\_G0
- <7,8> TFT\_LCD\_G1
- <1,7> TFT\_LCD\_G2
- <1,2,7> TFT\_LCD\_G3/CFG0
- <1,2,7> TFT\_LCD\_G4/CFG1
- <1,2,7> TFT\_LCD\_G5/CFG2
- <1,2,7,8> TFT\_LCD\_G6/CFG3
- <1,2,7,8> TFT\_LCD\_G7/CFG4
- <7,8> TFT\_LCD\_B0
- <7,8> TFT\_LCD\_B1
- <7,8> TFT\_LCD\_B2
- <1,7> TFT\_LCD\_B3
- <1,7> TFT\_LCD\_B4
- <1,7,8> TFT\_LCD\_B5
- <1,7,8> TFT\_LCD\_B6
- <1,7,8> TFT\_LCD\_B7
- <1,7> TFT\_LCD\_DCLK
- <1,7> TFT\_LCD\_MODE
- <1,7> TFT\_LCD\_HSYNC
- <1,7> TFT\_LCD\_VSYNC
- <1,7> TFT\_LCD\_DISP\_EN



 advanced digital chips inc. http://www.adc.co.kr	(주)에이디칩스 431-060 경기도 안양시 동안구 관왕동 610 금강변테리움 A동22층 http://www.adc.co.kr	
	Title <b>adStar STK</b>	
Size <b>A3</b>	Page SubTitle <b>TFT-LCD LTP700WV-F01</b>	Ver. <b>3.0</b>
Date Thursday, April 11, 2013		Page 9 of 10

# INPUT 5V



 advanced digital chips inc. 135-280 서울 강남구 대치동 1009-5 국민재1빌딩 8층 <a href="http://www.adc.co.kr">http://www.adc.co.kr</a>	(주)에이디칩스	
	<b>adStar STK</b>	
Size	Page Subtitle	Ver.
A3	<b>POWER &amp; nRESET</b>	<b>3.0</b>
Date : Thursday, April 11, 2013	Page	10 of 10