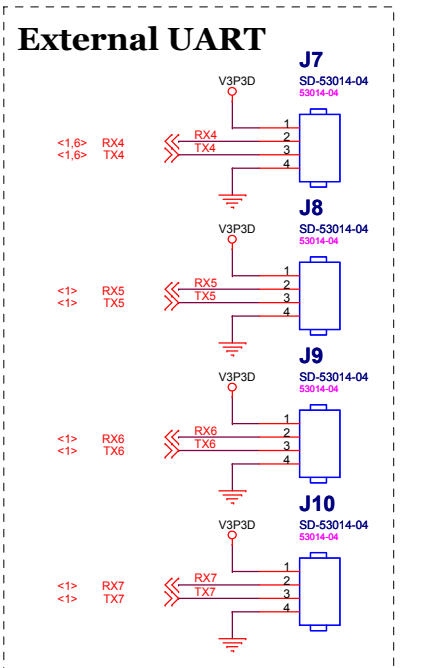
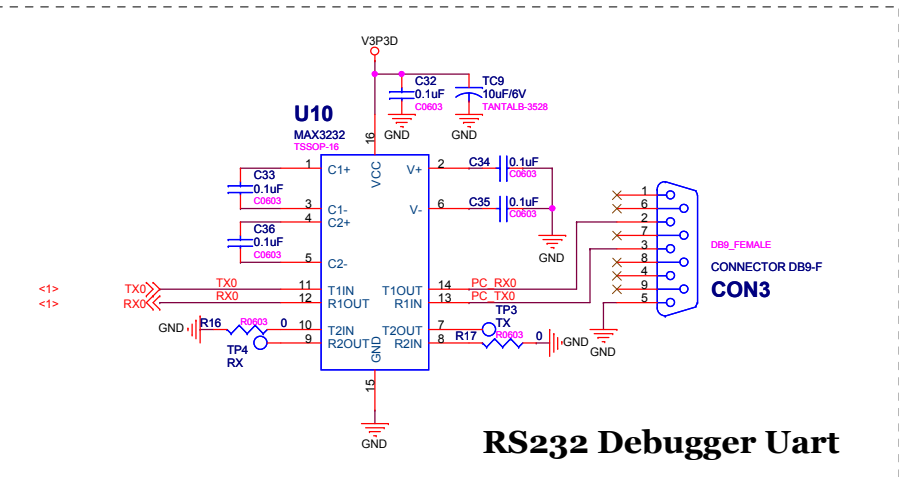


KEY



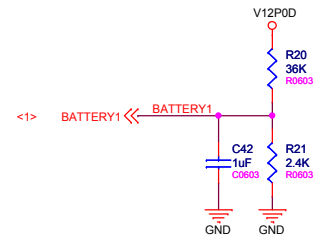
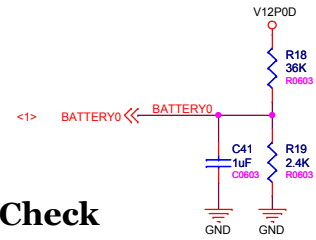
External UART



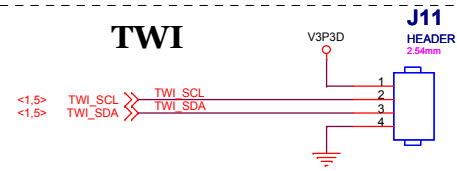
RS232 Debugger Uart

 advanced digital chips inc.	<b>(주)에이디칩스</b> 431-060 경기도 안양시 동안구 권양동 810 금강벤처리플 A동22층 <a href="http://www.adc.co.kr">http://www.adc.co.kr</a>	
	Title <b>협력통신 CAN TEST</b>	
Size	Page Subtitle	Designed by .eunha.Kim eunha@adc.co.kr
A3	CAN & UART & RS232	Ver. 1.1
Date : Monday, March 25, 2013	Page 2	of 8

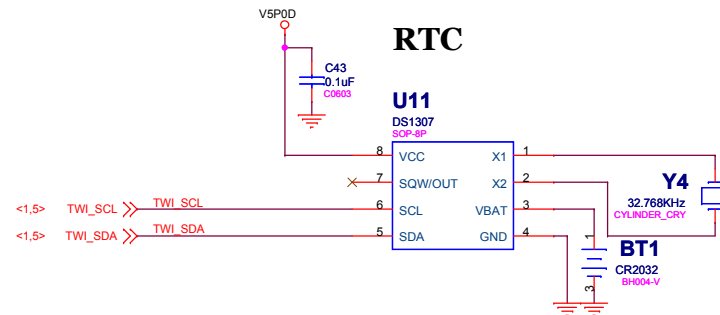
## Battery Check



## TWI

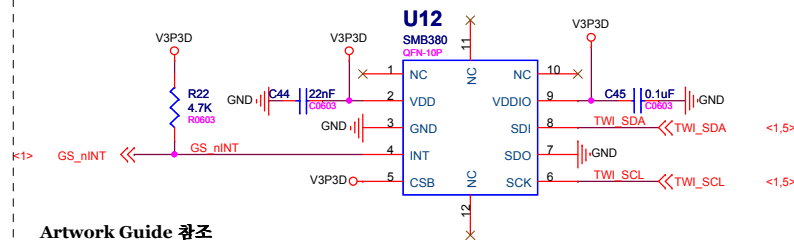


## RTC




<http://www.iambattery.kr/shop/shopdetail.html?branduid=519&xcode=125&mcode=005&scode=&type=X&search=&sort=order>

## G Sensor

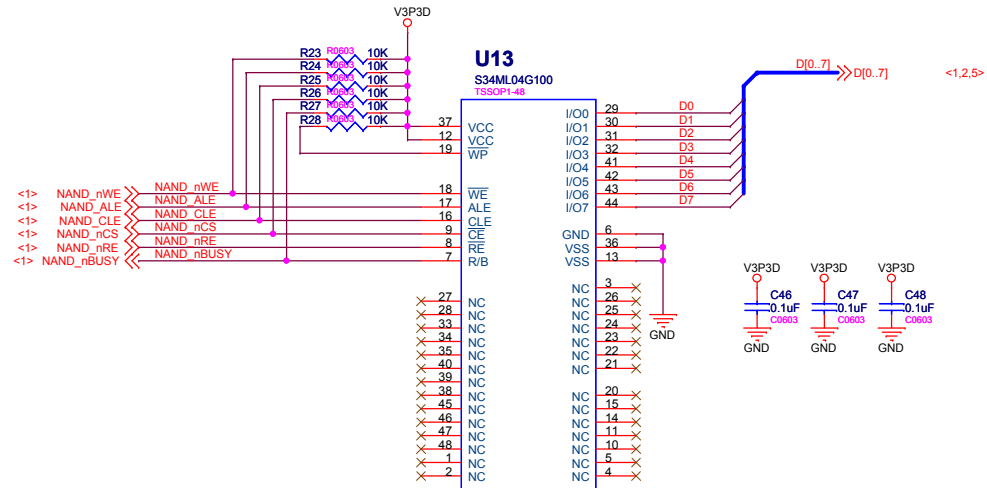


Artwork Guide 참조

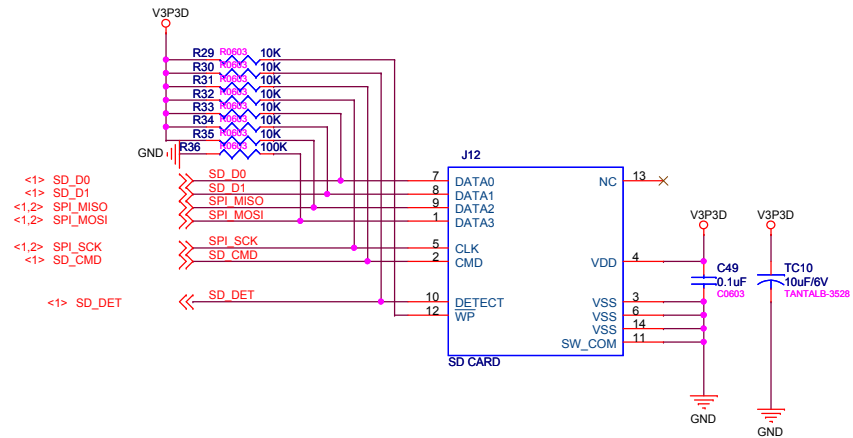
 advanced digital chips inc.	<b>(주)에이디칩스</b> 431-060 경기도 안양시 동안구 관양동 810 금강면역리움 A동22층 http://www.adc.co.kr	
	Title <b>협력회사 CAN TEST</b>	
Size <b>A3</b>	Page Subtitle <b>G Sensor &amp; RTC</b>	Ver. <b>1.1</b>
Date : Thursday, February 07, 2013		Page 3 of 8

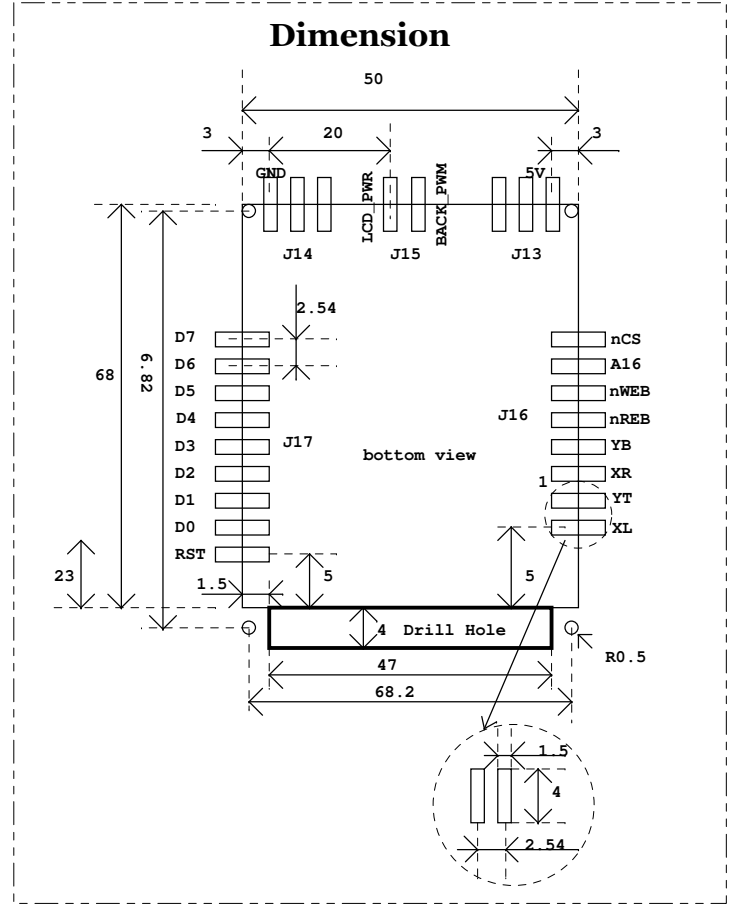
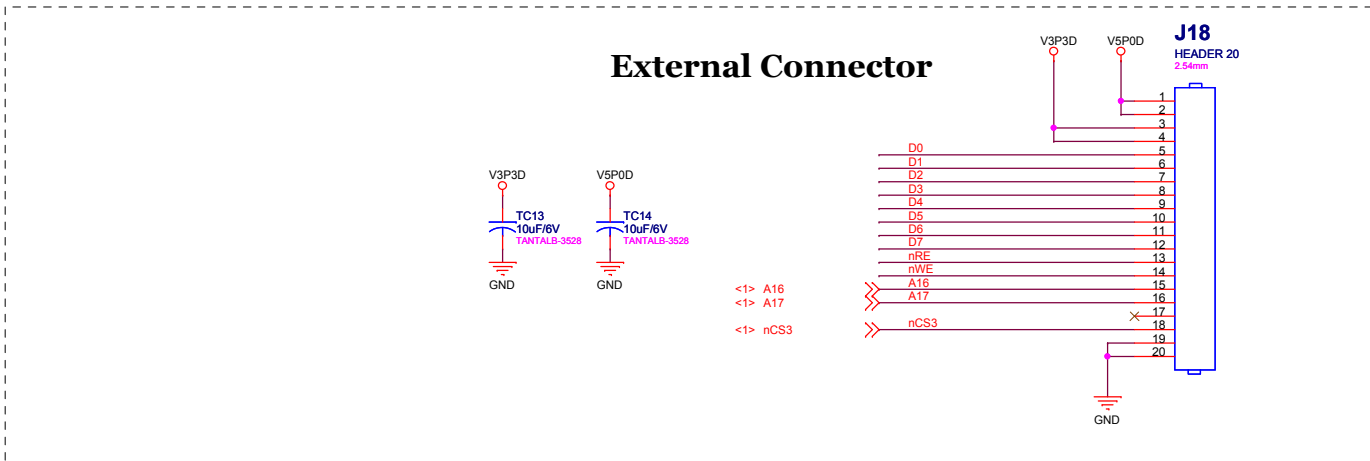
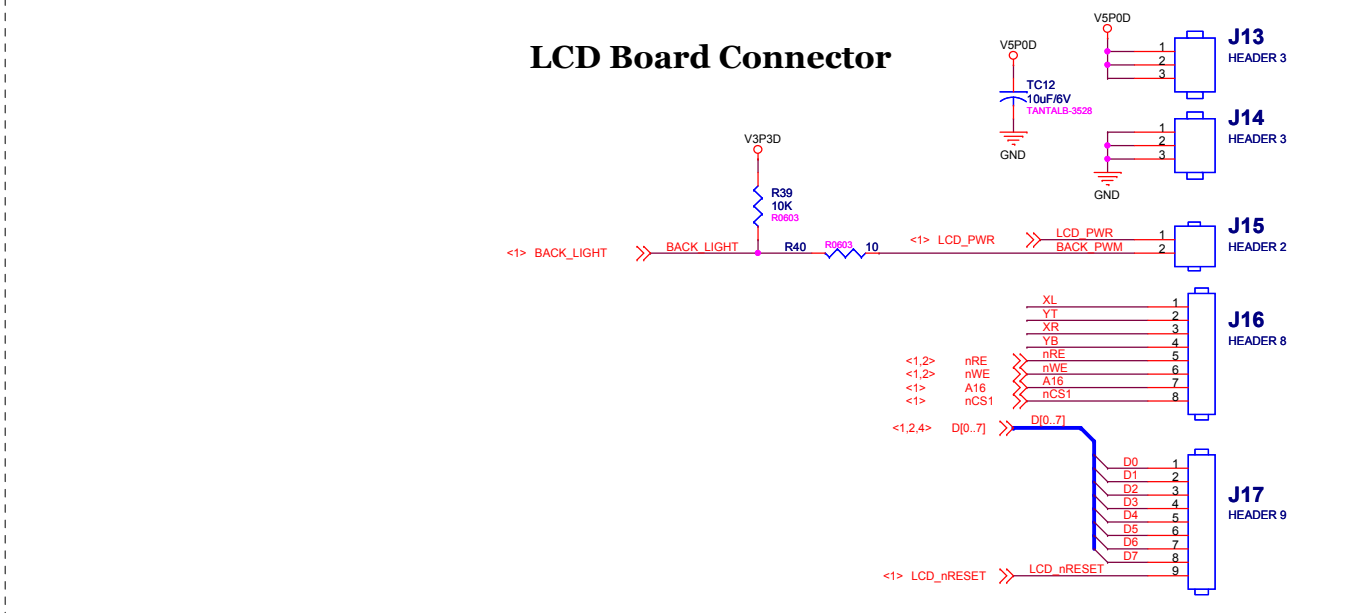
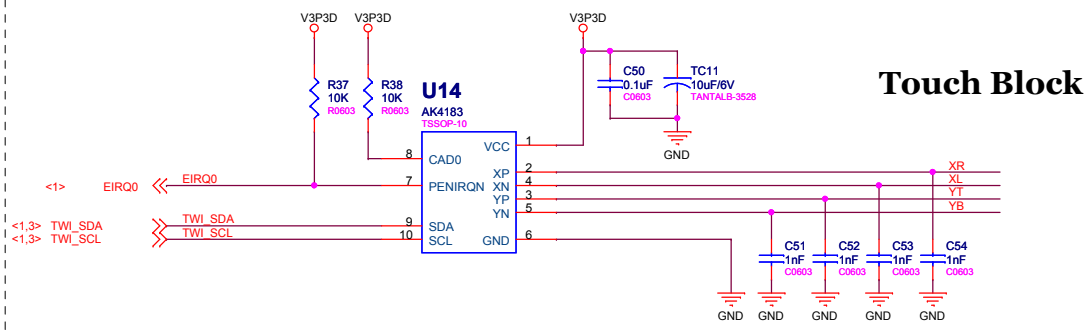
Designed by .eunha.Kim  
eunha@adc.co.kr

## NAND Flash

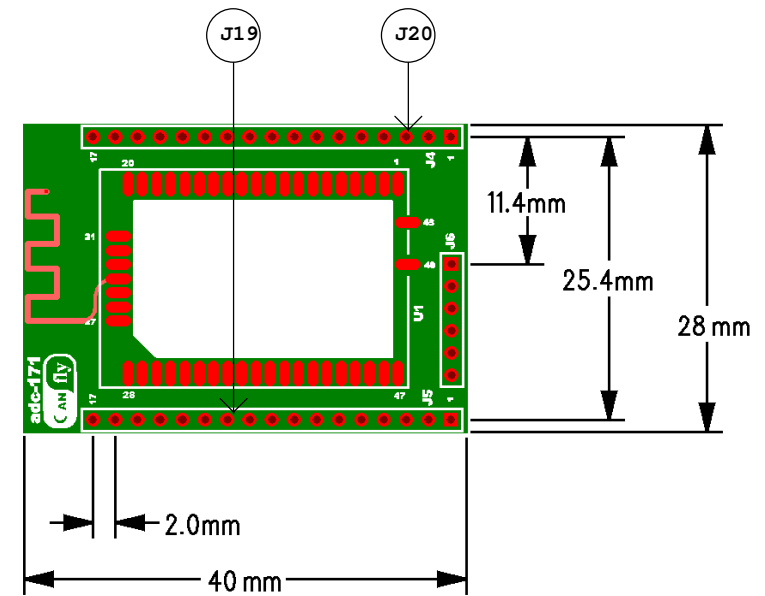
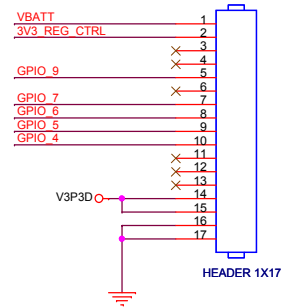
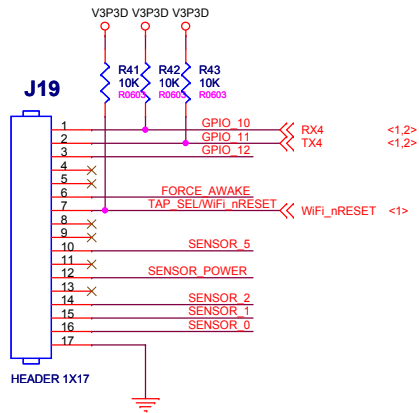


## SD Card

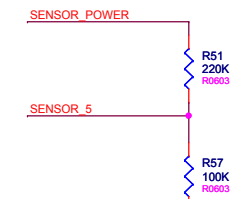
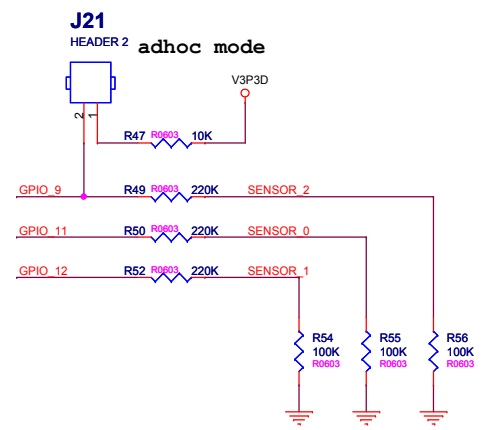
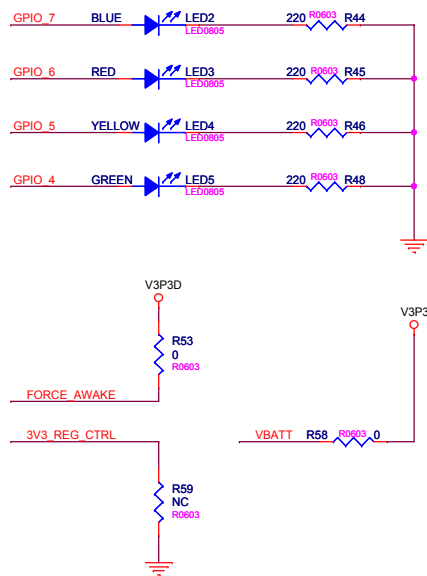





 advanced digital chips inc. <a href="http://www.adc.co.kr">http://www.adc.co.kr</a>	<b>(주)에이디칩스</b> 431-080 경기도 안양시 동안구 관왕동 810 금강센터빌 A동22층 <a href="http://www.adc.co.kr">http://www.adc.co.kr</a>	
	<b>협력회사 CAN TEST</b> Designed by .eunha.Kim eunha@adc.co.kr	
Size	Page Subtitle	Ver.
A3	LCD Block	1.1
Date : Monday, March 25, 2013		Page 5 of 8



Condition	Red LED	Yellow LED	Green LED
ON solid			Connected over TCP
Fast blink	Not Associated	Rx/Tx data transfer	No IP address
Slow blink			IP address OK
OFF	Associated		





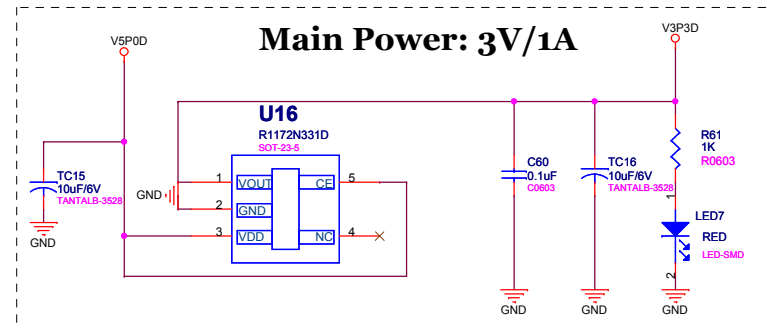
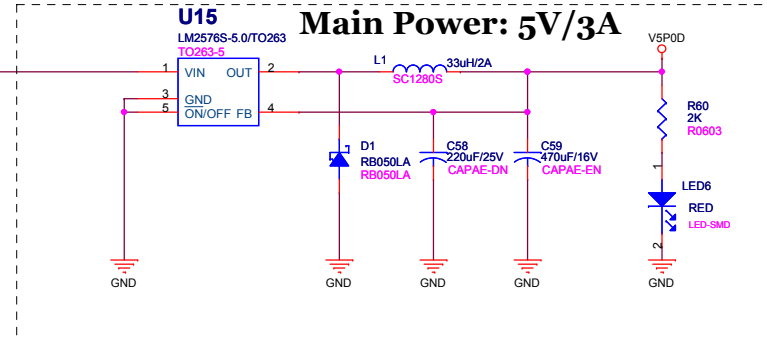
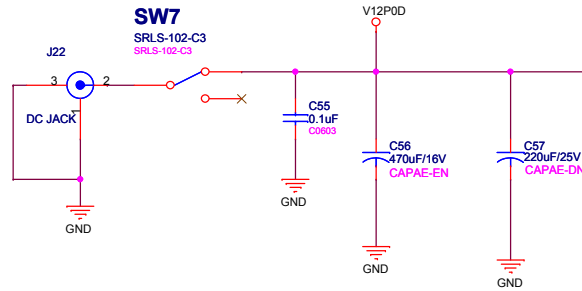
advanced digital chips inc.  
http://www.adc.co.kr


**(주)에이디칩스**

431-060  
경기도 안양시 동안구 관양동 810 금강면터리움 A동22층  
http://www.adc.co.kr

<b>Title</b>		Designed by .eunha.Kim eunha@adc.co.kr	
<b>Size</b>	Page Subtitle		Ver.
A3	WiFi		1.1
<b>Date</b> : Thursday, February 07, 2013		<b>Page</b>	6 of 8

### 12VIN



 advanced digital chips inc.	<b>(주)에이디칩스</b> 431-060 경기도 안양시 동안구 관양동 810 금강면역리움 A동22층 http://www.adc.co.kr	
	Title <b>힘력통신 CAN TEST</b>	
Size <b>A3</b>	Page Subtitle <b>Power Block</b>	Ver. <b>1.1</b>
Date : Thursday, February 07, 2013		Page 7 of 8

Designed by .eunha.Kim  
eunha@adc.co.kr

-> HISTORY <-

Date: 2013.1.10  
 Version: 1.0  
 Start  
 Date: 2013.2.4  
 Version: 1.1  
 CAN block 3.3V->5V  
 R62 추가

