

Power On Configuration

Boot Mode	BOOT3	BOOT2	BOOT1	BOOT0
JTAG DEBUG	X	X	X	L
NAND Small 3Cycle	L	L	L	H
NAND Small 4Cycle	L	L	L	H
NAND Large 4Cycle	L	H	L	H
NAND Large 3Cycle	L	H	H	H
NAND MLC 4bit	H	L	L	H
NAND MLC 24bit	H	L	L	H
Serail Flash	H	H	L	H

advanced digital chips inc.

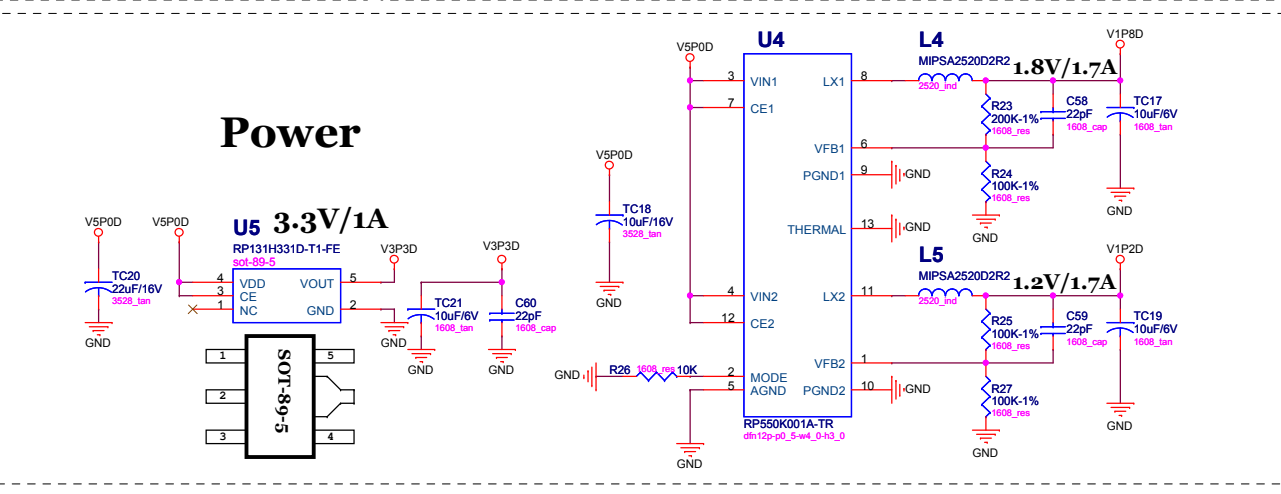
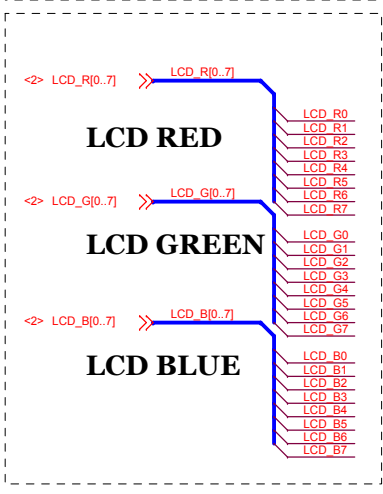
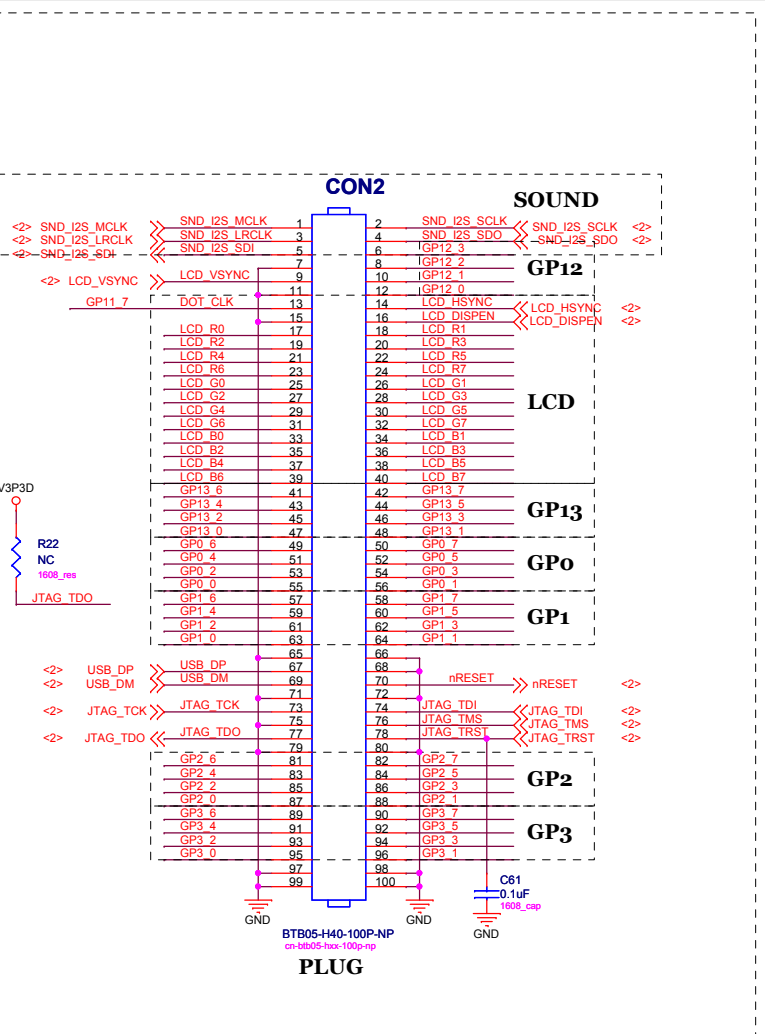
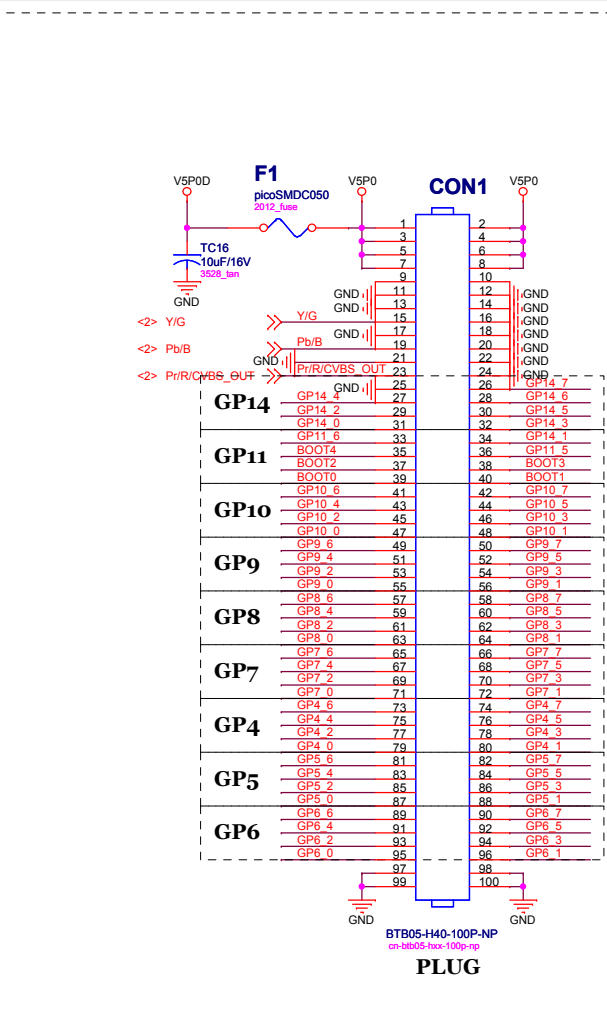
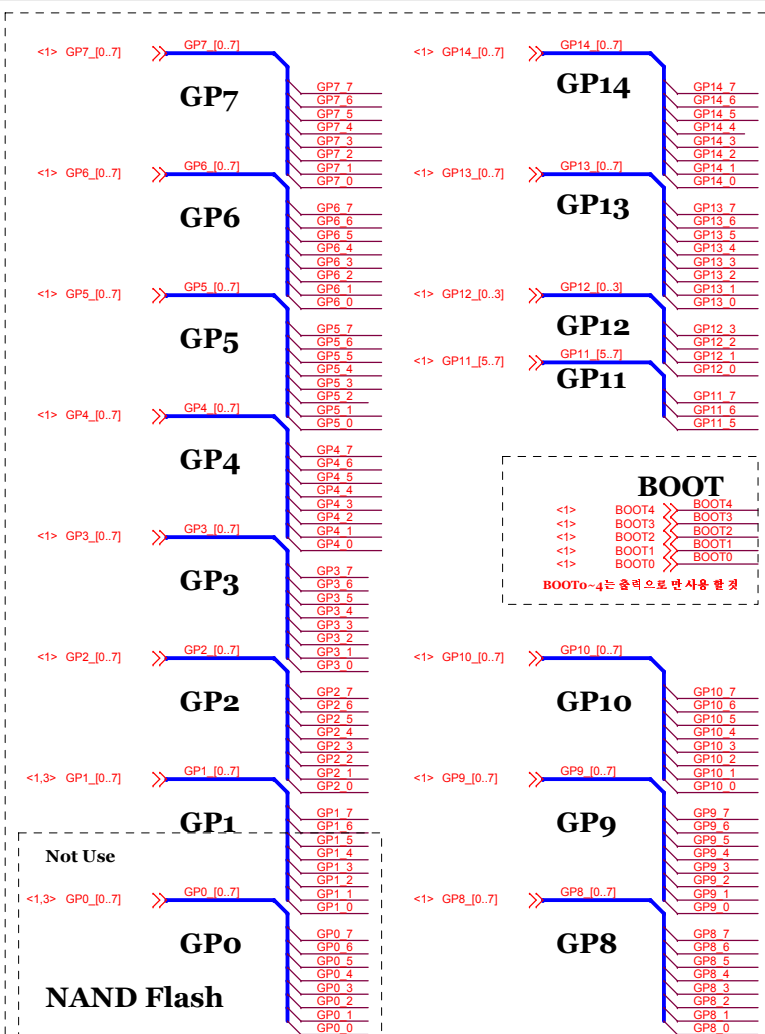
(주)에이디칩스

431-060
경기 도 안양시 동안구 평양동 810 금강면터리길 A동22층
http://www.adc.co.kr

AMAZON-II STK Designed by .eunha.Kim
eunha@adc.co.kr

Size	Page Subtitle	Ver.
A3	AMAZON-II Memory Block	1.0

Date : Thursday, September 04, 2014 Page 1 of 4



adc advanced digital chips inc.

(주)에이디칩스
 431-060 경기도 안양시 동안구 평양동 810 금강면역리 홈 A동22층
 http://www.adc.co.kr

AMAZON-II STK Designed by .eunha.Kim eunha@adc.co.kr

Title
 Size A3 Page Subtitle External Connector Ver. 1.0
 Date : Tuesday, January 06, 2015 Page 4 of 4