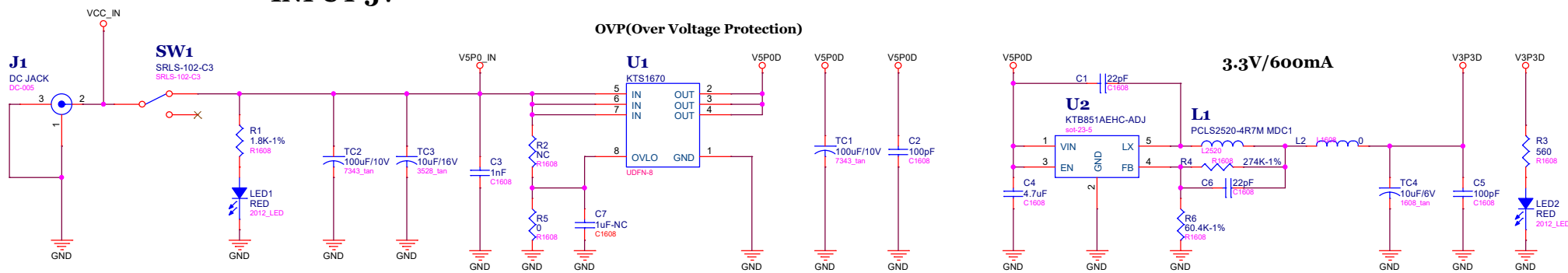


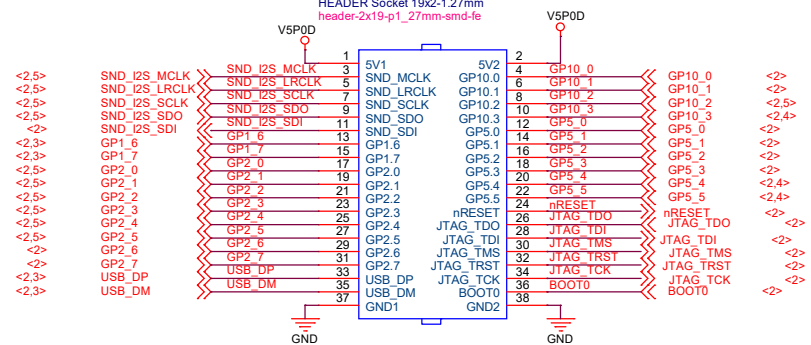
AMAZONES-B Connector

INPUT 5V



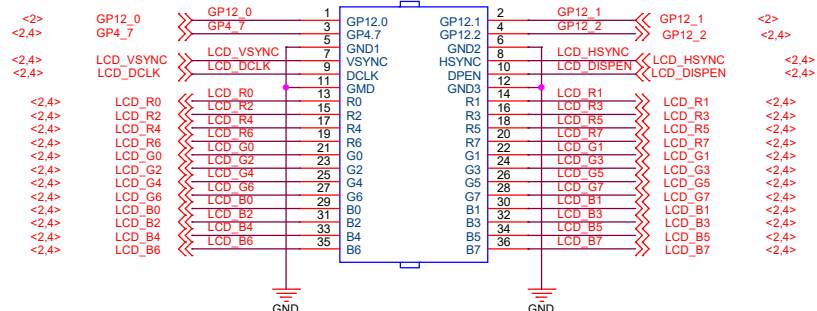
J2

HEADER Socket 19x2-1.27mm
header-2x19-p1_27mm-smd-fe

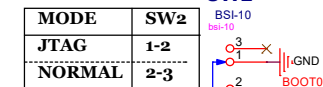


J3

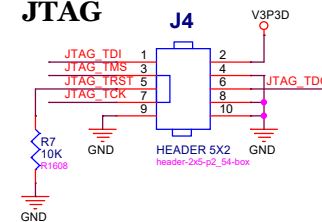
HEADER Socket 18X2-1.27mm
header-2x18-p1_27mm-smd-fe



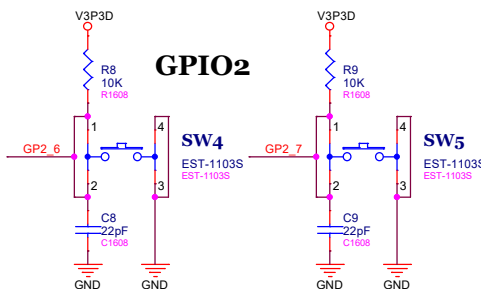
SW2



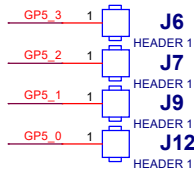
JTAG



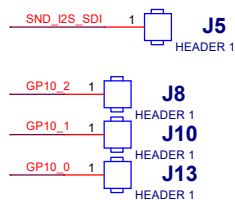
GPIO2



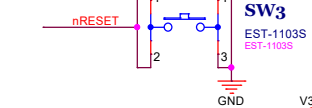
GPIO5



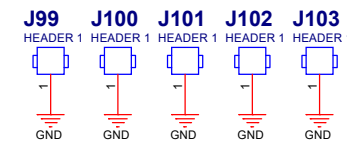
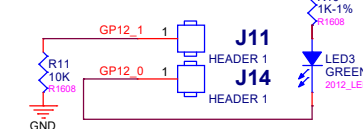
GPIO10



RESET



GPIO12



advanced digital chips inc.

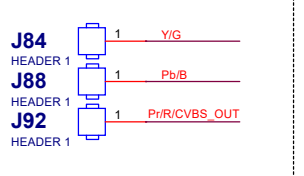
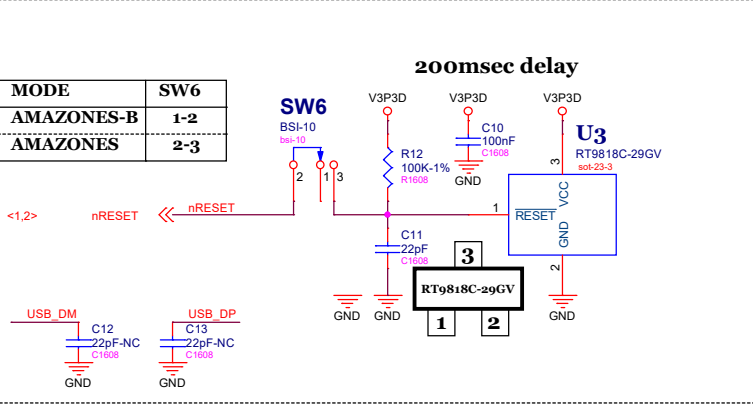
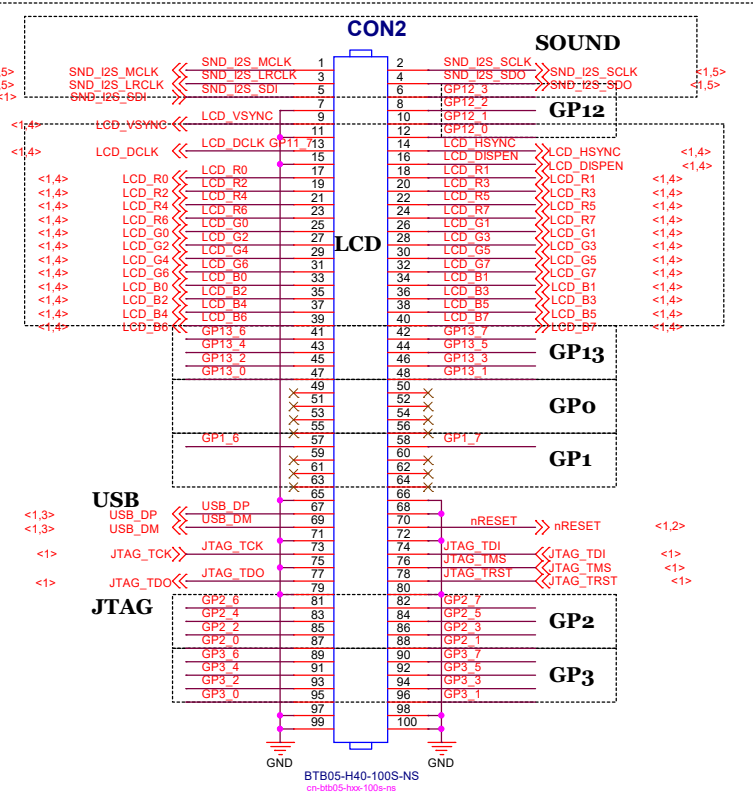
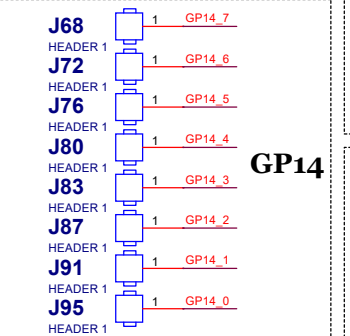
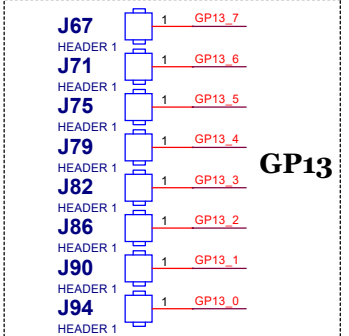
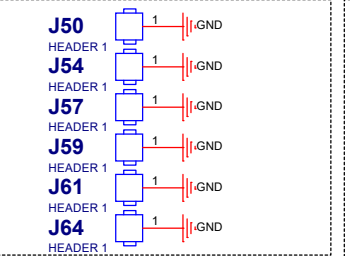
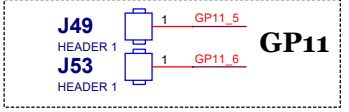
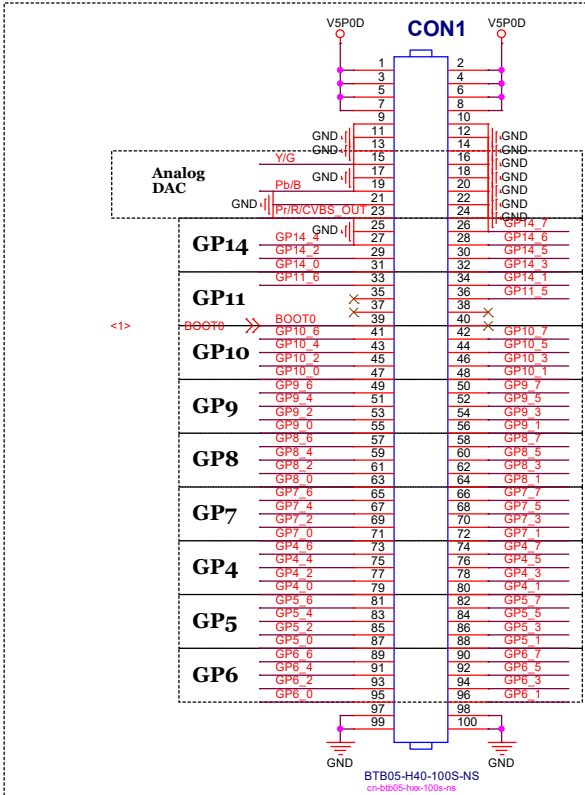
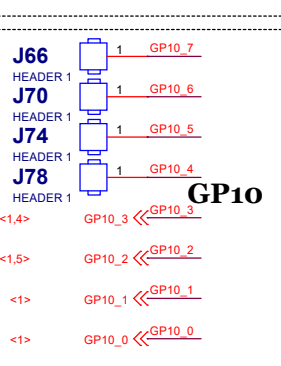
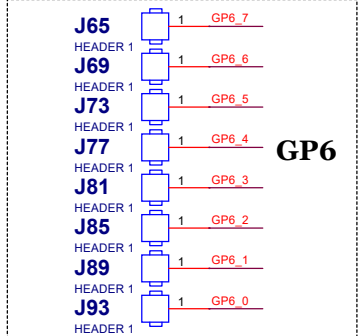
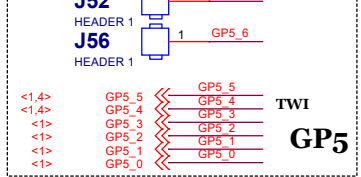
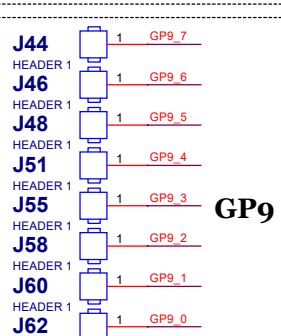
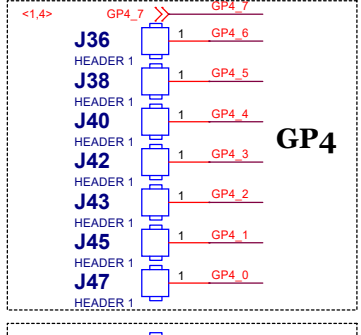
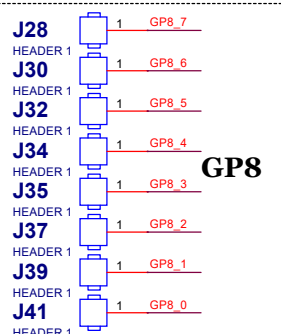
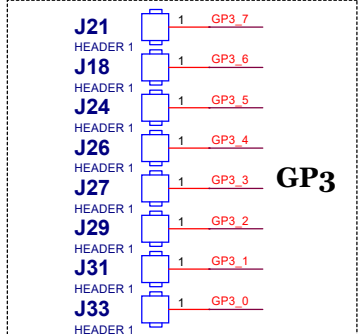
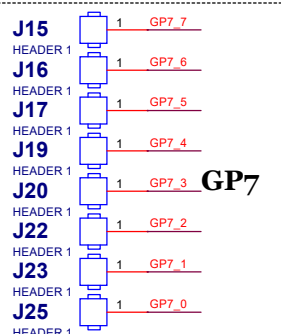
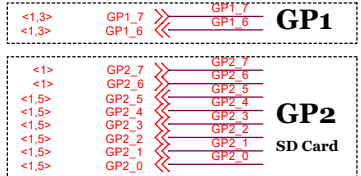
(주)에이디칩스

14056 경기도 안양시 동안구 학회로 282, A동 22층
(관양동, 금강벤처리움 IT타워)
<http://www.adc.co.kr>

AMAZONES Base-3.0 Designed by eunha.Kim
eunha@adc.co.kr

| | | | |
|-------|----------------------------|---------------|--------|
| Title | AMAZONES-B Connector/Power | | Ver. |
| Size | A3 | Page Subtitle | 1.0 |
| Date | Thursday, June 11, 2020 | Page | 1 of 6 |

AMAZONES Connector



(주)에이디칩스
adc
advanced digital chips Inc.

14056 경기도 안양시 동안구 학회로 282, A동 22층
(관양동, 금강벤처리플 IT타워)
http://www.adc.co.kr

Title
AMAZONES Base-3.0

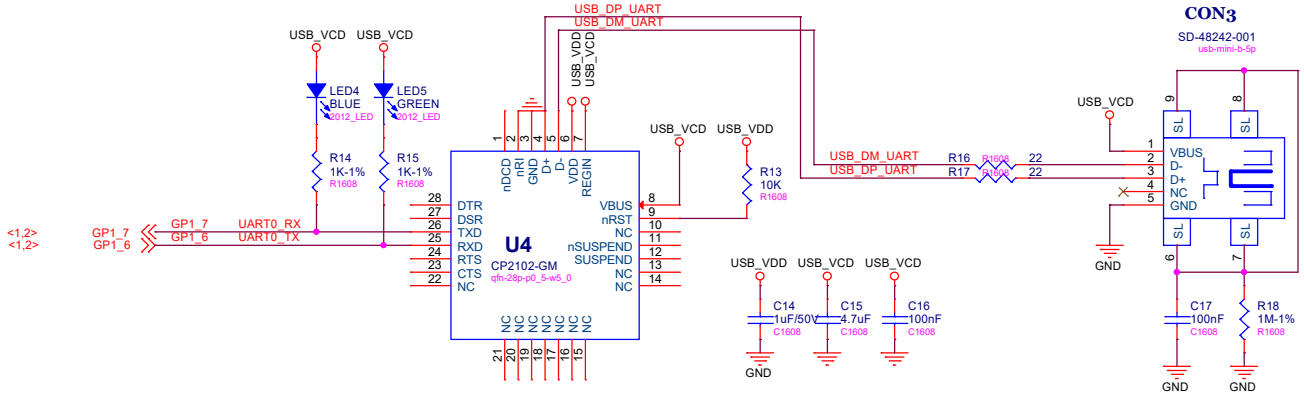
Designed by eunha.Kim
eunha@adc.co.kr

Size Page Subtitle
A3 **AMAZONES Connector**

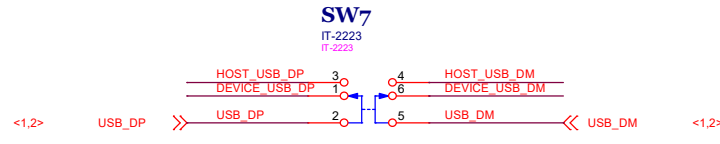
Date : Thursday, June 11, 2020 Page 2 of 6

Ver. **1.0**

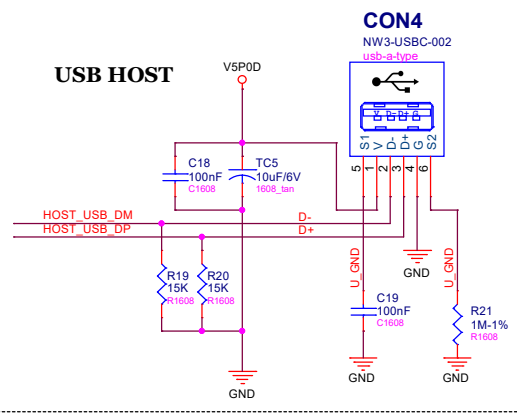
DEBUG UART CH0



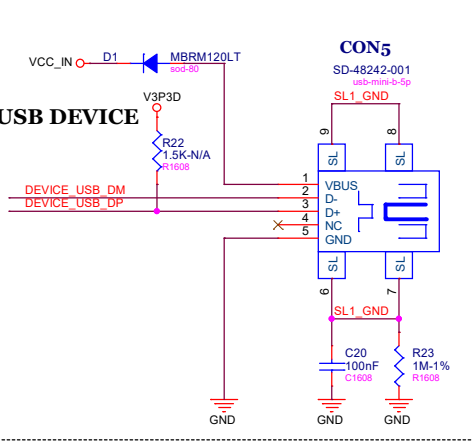
AMAZON II USB



USB HOST



USB DEVICE

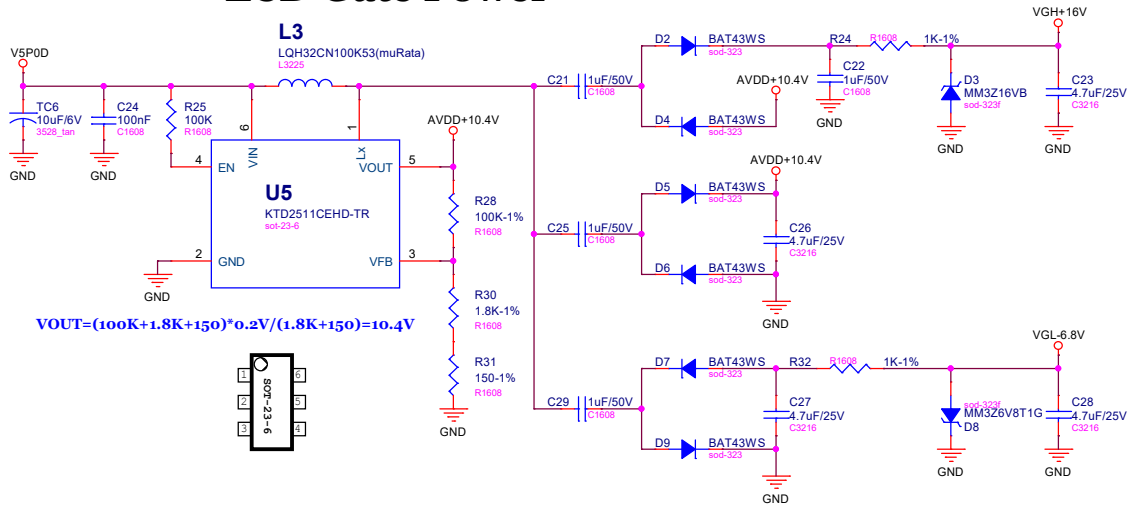


adc
advanced digital chips inc.

(주)에이디칩스
14056 경기도 안양시 동안구 학회로 282, A동 22층
(관양동, 금강벤티리움 IT타워)
<http://www.adc.co.kr>

| | | | | | |
|-------|-------------------------|-------------------|------|--|------|
| Title | | AMAZONES Base-3.0 | | Designed by eunha.Kim eunha@adc.co.kr | |
| Size | Page Subtitle | A3 | | Ver. 1.0 | |
| Date | Thursday, June 11, 2020 | | Page | 3 | of 6 |

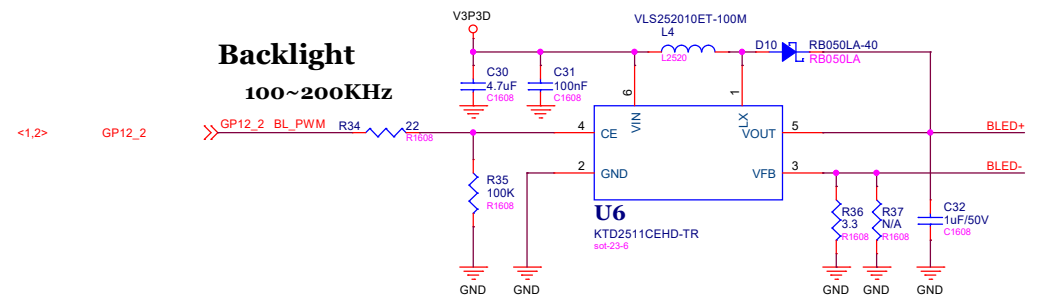
LCD Gate Power



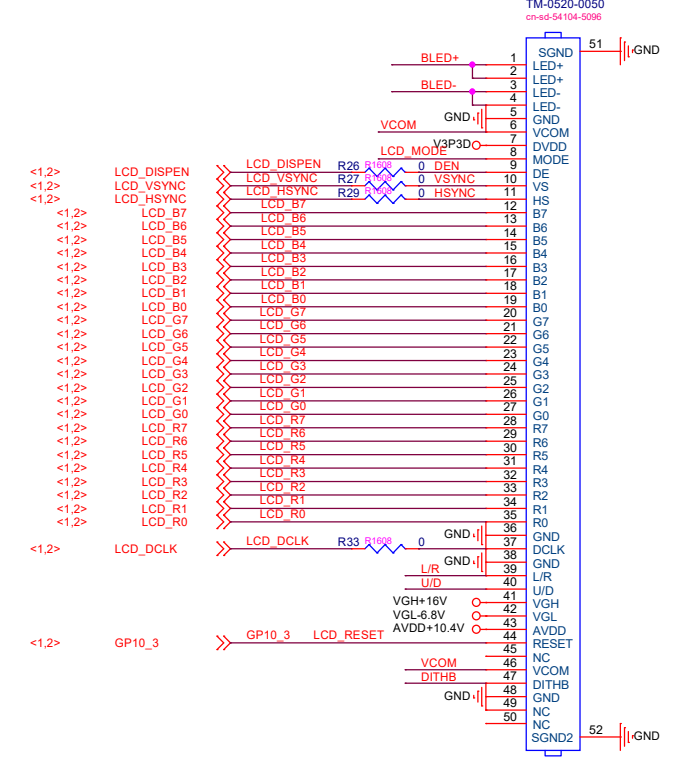
$$VOUT = (100K + 1.8K + 150) \cdot 0.2V / (1.8K + 150) = 10.4V$$

Backlight

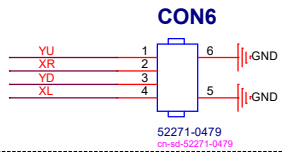
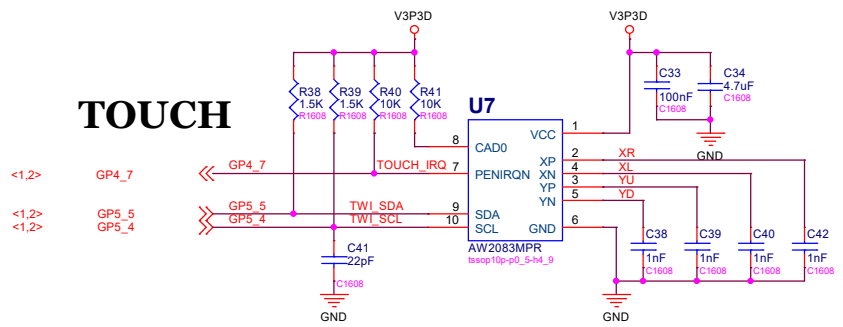
100~200KHz



J96



TOUCH



| Setting Of Scan Control Input | | Scanning Direction |
|-------------------------------|-----|---------------------------|
| U/D | L/R | |
| GND | VDD | Up to down, Left to right |
| VDD | GND | Down to up, Right to left |
| GND | GND | Up to down, Right to left |
| VDD | VDD | Down to up, Left to right |

(주)에이디칩스

14056 경기도 안양시 동안구 학회로 282, A동 22층
(관양동, 금강센터리움 IT타워)
http://www.adc.co.kr

adc advanced digital chips inc.

AMAZONES Base-3.0

Designed by eunha.Kim
eunha@adc.co.kr

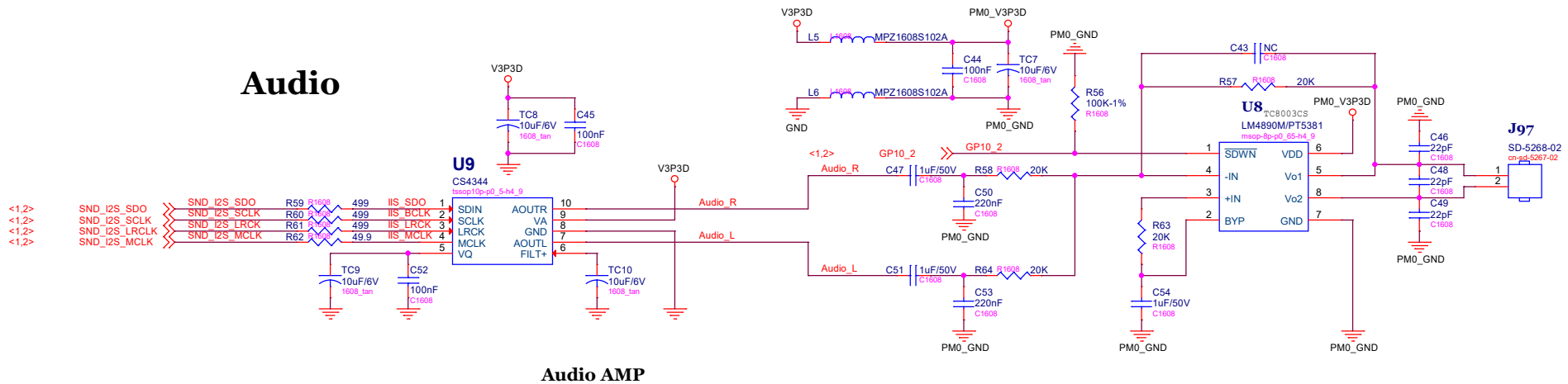
Title: AMAZONES Base-3.0

Size: A3 Page Subtitle: TFT LCD

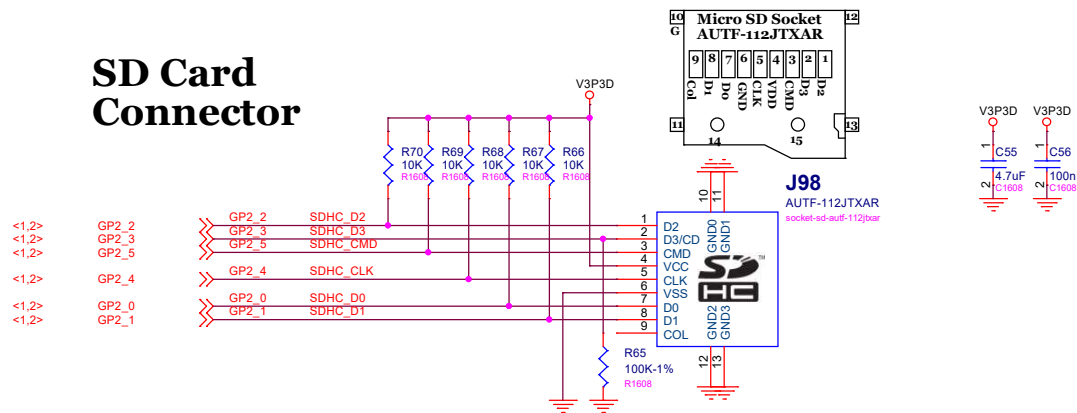
Date: Thursday, June 11, 2020 Page: 4 of 6


Ver. 1.0

Audio



SD Card Connector



| | | |
|--|---|--|
|  advanced digital chips inc. | (주)에이디칩스 14056 경기도 안양시 동안구 학회로 282, A동 22층 (관양동, 금강벤처리움 IT타워) http://www.adc.co.kr | |
| | Title AMAZONES Base-3.0 | |
| Size A3 | Page Subtitle SD Card/Sound | Designed by eunha.kim eunha@adc.co.kr |
| Date : Thursday, June 11, 2020 | Page 5 of 6 | Ver. 1.0 |

AMAZONES BASE 3.0 (AMAZON2 starter kit)

| Version | Date | Description |
|-----------|--------------|-------------|
| Ver : 1.0 | Mar 12, 2020 | |
| | | |