

(주)에이디칩스

431-060  
 경기도 안양시 동안구 관양동 810 금강벤처리움 A동22층  
 http://www.adc.co.kr

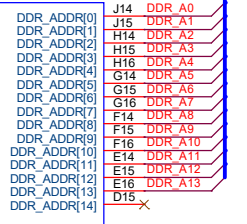
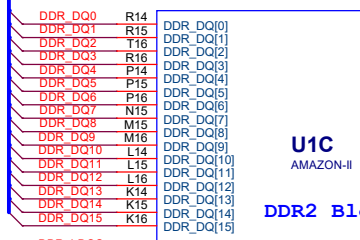
advanced digital chips inc.

**AMAZON-II STK** Designed by .eunha.Kim  
 eunha@adc.co.kr

Title	Page Subtitle	Ver.
A3	AMAZON-II Memory Block	1.1

Date : Thursday, January 18, 2018 Page 1 of 4

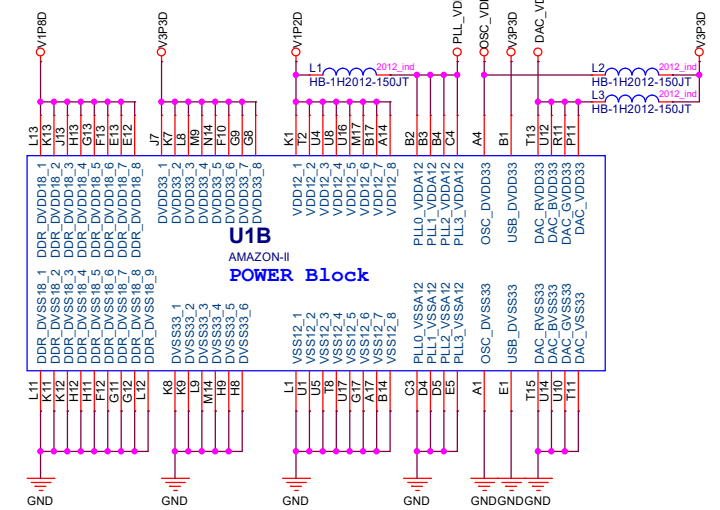
<3> DDR\_DQ[0..15] >> DDR\_DQ[0..15]



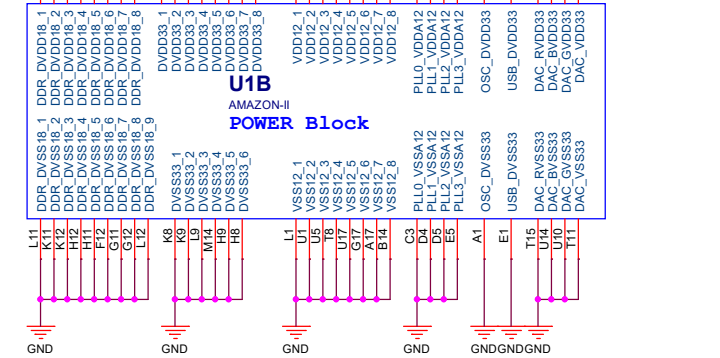
<3> DDR\_LDQS  
<3> DDR\_UDQS  
  
<3> DDR\_LDM  
<3> DDR\_UDM  
  
<3> DDR\_BA0  
<3> DDR\_BA1  
<3> DDR\_BA2  
<3> DDR\_VREF1  
<3> DDR\_VREF2

DDR\_CK  
DDR\_nCK  
DDR\_CKE  
  
DDR\_nCS  
DDR\_nWE  
DDR\_nCAS  
DDR\_nRAS

DDR\_A[0..13] >> DDR\_A[0..13] <3>



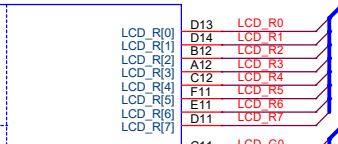
### U1B AMAZON-II POWER Block



<4> JTAG\_TCK  
<4> JTAG\_TMS  
<4> JTAG\_TDI  
<4> JTAG\_TRST  
  
<4> JTAG\_TDO

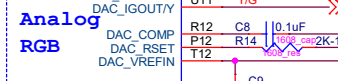


### U1D AMAZON-II



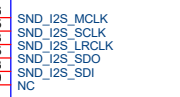
### Digital RGB

### SOUND BLOCK



### Analog RGB

<4> SND\_I2S\_MCLK  
<4> SND\_I2S\_SCLK  
<4> SND\_I2S\_LRCLK  
<4> SND\_I2S\_SDO  
<4> SND\_I2S\_SDI



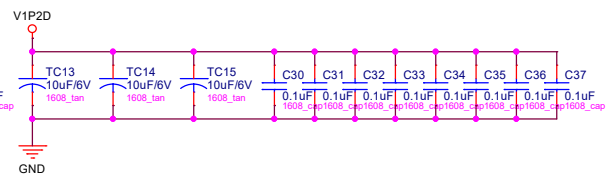
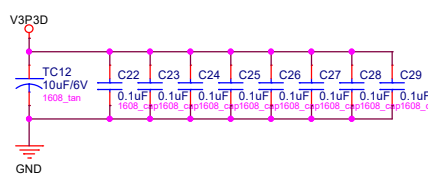
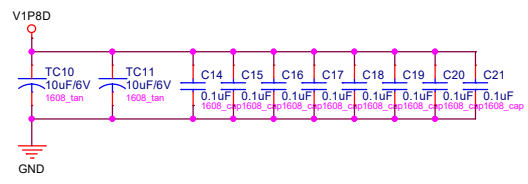
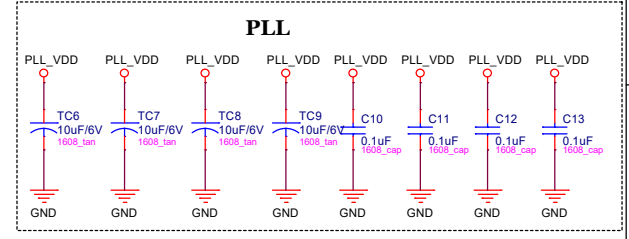
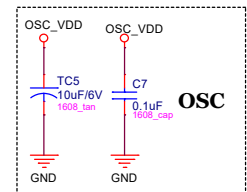
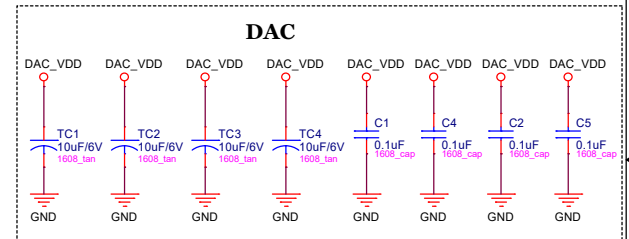
LCD\_R[0..7] >> LCD\_R[0..7] <4>

LCD\_G[0..7] >> LCD\_G[0..7] <4>

LCD\_B[0..7] >> LCD\_B[0..7] <4>

**Analog Selection**

===== DAC OUT(1.4V) =====  
 $V_{ref} = 1.235V$   
 $I_{out} = 1.235V \times 1023 / (2000 \times 32) = 19.74\mu A$   
 $V_{out} = I_{out} \times R_{out}$   
 $V_{out} = 0.7V$



**adc** advanced digital chips Inc.

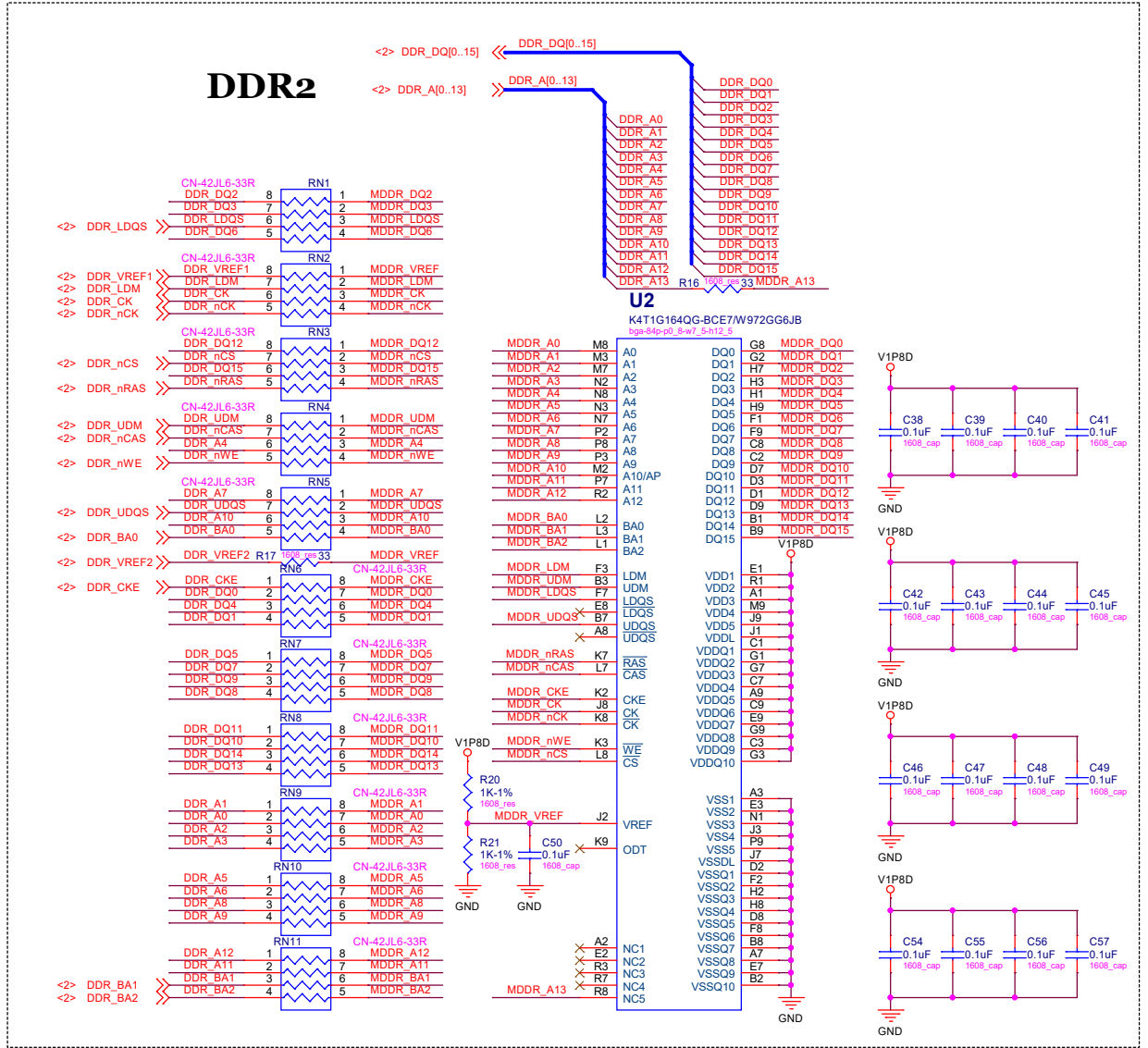
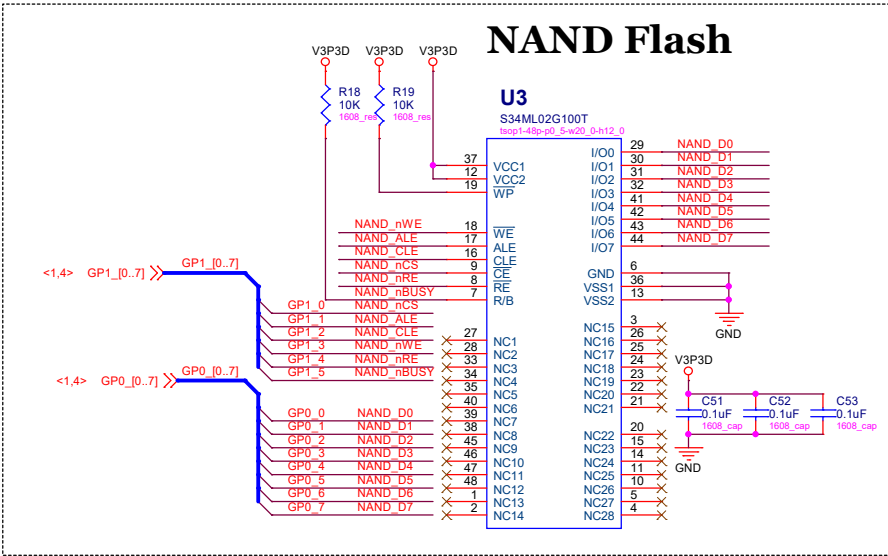
**(주)에이디칩스**


431-060 경기도 안양시 동안구 관양동 810 금강벤처리플 A동22층  
<http://www.adc.co.kr>

**AMAZON-II STK** Designed by .eunha.Kim  
 eunha@adc.co.kr

Size: A3 Page Subtitle: AMAZON-II DDR SOUND POWER Ver.: 1.1

Date: Thursday, January 18, 2018 Page: 2 of 4





advanced digital chips inc.

**(주)에이디칩스**

431-060  
 경기도 안양시 동안구 관왕동 810 금강변테크리움 A동22층  
<http://www.adc.co.kr>

---

**AMAZON-II STK** Designed by .eunha.Kim  
eunha@adc.co.kr

Size	Page Subtitle	Ver.
A3	DDR2 & NAND Flash	1.1

Date : Thursday, January 18, 2018 | Page 3 of 4

